

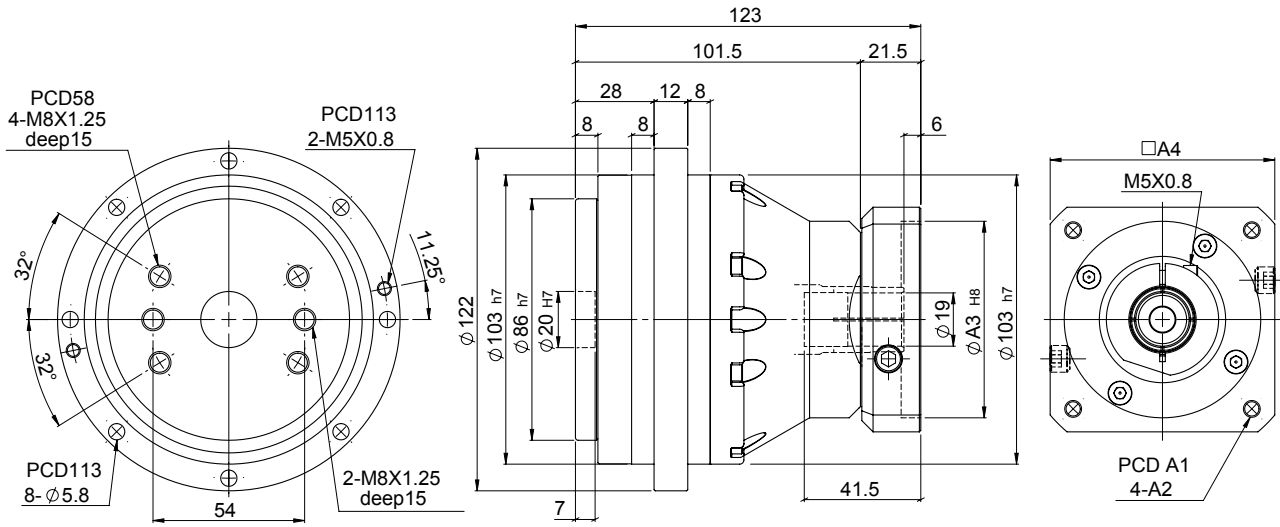
RDN

# MODEL : RDN6

RATIO : 41、61、81、121、161

Unit: mm

Model Code	RDN6
A1	70、75、90
A2	M4、M5、M6
A3	50、60、70
A4	64、70、80



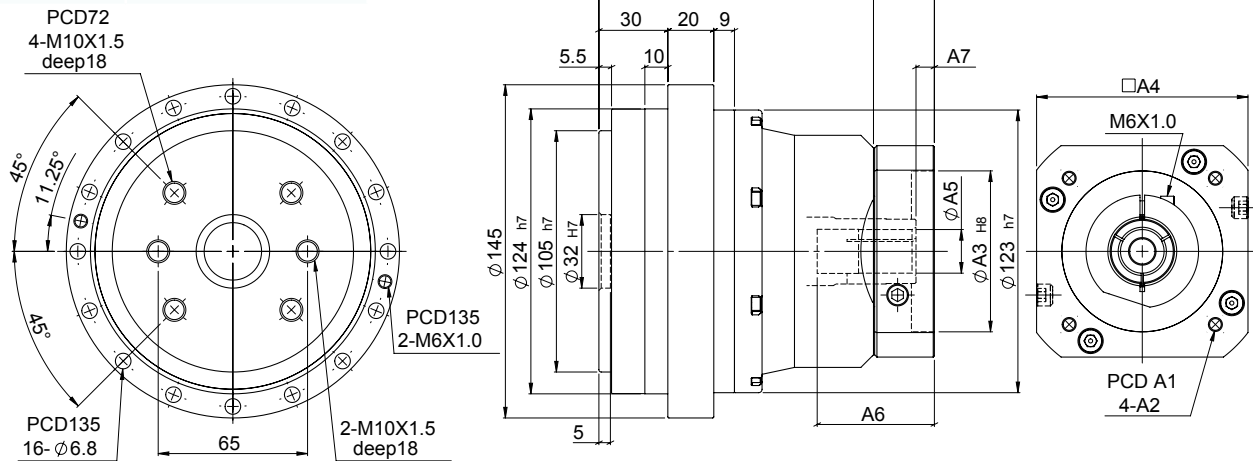
Characteristic		Unit	RDN6
Output Table Supporting Bearing			Angular Contact Ball Bearing
/ Rated Output Torque		Nm	60
/ Max. Output Torque	$T_{2NOT}$	Nm	5 Time of Rated Output Torque
/ Emergency Stop Torque			
/ Max. Acceleration Torque	$T_{2B}$	Nm	2Times of Rated Output Torque
/ Inertia Moment		kg.m <sup>2</sup>	$1.15 \times 10^{-4}$
/ Rated Output Speed		rpm	15
/ Max. Output Speed		rpm	55
/ Permissible Input Speed		rpm	3,000
/ Backlash Ps	$J_i$	arcmin	$\leq 2$
/ Backlash P0	$J_i$	arcmin	$\leq 4$
/ Backlash P1	$J_i$	arcmin	$\leq 6$
/ Max. Radial Force	$F_{2rB}$	N	2,100
/ Max. Axial Force	$F_{2aB}$	N	1,500
/ Rated Life	$L_H$	hr	S5 Cycle Operation: >6,000 (S1 Continuous Operation: >3,000 hrs)
/ Torsional Rigidity		Nm/arcmin	50
/ Efficiency	$\eta$	%	$\geq 85$
/ Synthetic Grease		g	100
/ Weight		kg	3.43

# MODEL : RDN20

RATIO : 41、61、81、121、161

Unit: mm

Model Code	RDN20
A1	90、100、115、145
A2	M5、M6、M8
A3	70、80、95、110
A4	92、110、130
A5	19、24
A6	51、63
A7	8、20
A8	26.5、38.5
A9	146、158



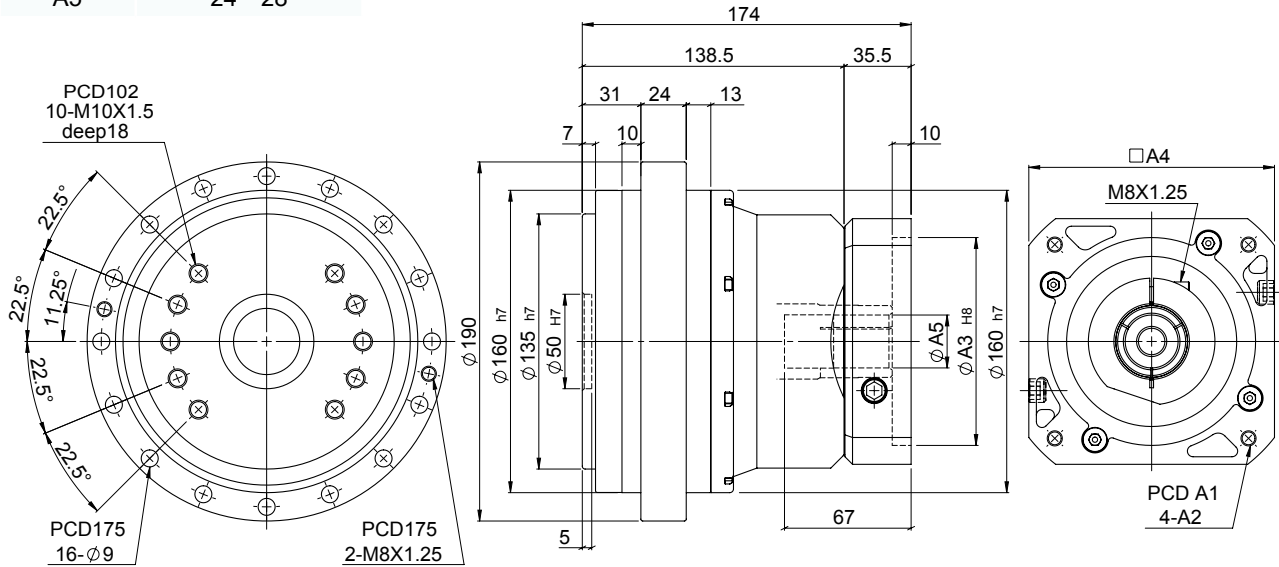
Characteristic		Unit	RDN20
Output Table Supporting Bearing			Angular Contact Ball Bearing
/ Rated Output Torque		Nm	200
/ Max. Output Torque	$T_{2NOT}$	Nm	5 Time of Rated Output Torque
/ Emergency Stop Torque			
/ Max. Acceleration Torque	$T_{2B}$	Nm	2.5 Times of Rated Output Torque
/ Inertia Moment		kg.m <sup>2</sup>	$2 \times 10^{-4}$
/ Rated Output Speed		rpm	15
/ Max. Output Speed		rpm	50
/ Permissible Input Speed		rpm	3,000
/ Backlash Ps	$J_i$	arcmin	≤ 1
/ Backlash P0	$J_i$	arcmin	≤ 3
/ Backlash P1	$J_i$	arcmin	≤ 5
/ Max. Radial Force	$F_{2rB}$	N	6,500
/ Max. Axial Force	$F_{2aB}$	N	4,300
/ Rated Life	$L_H$	hr	S5 Cycle Operation: >6,000 (S1 Continuous Operation: >3,000 hrs)
/ Torsional Rigidity		Nm/arcmin	70
/ Efficiency	$\eta$	%	≥ 85
/ Synthetic Grease		g	170
/ Weight		kg	6.43

# MODEL : RDN40

RATIO : 41、61、81、121、161

Unit: mm

Model Code	RDN40
A1	115、145、165
A2	M6、M8、M10
A3	95、110、130
A4	122、130、150
A5	24、28



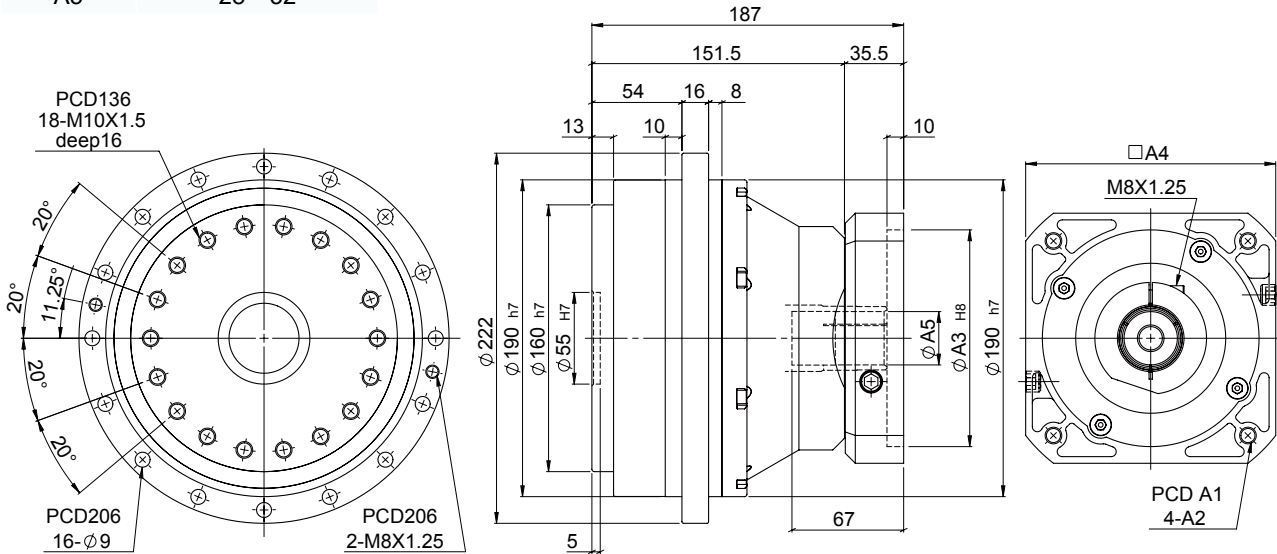
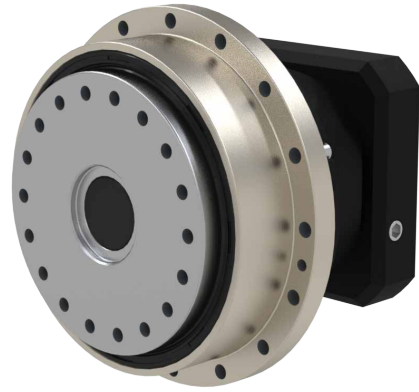
Characteristic		Unit	RDN40
Output Table Supporting Bearing	/		Angular Contact Ball Bearing
/ Rated Output Torque		Nm	400
/ Max. Output Torque	$T_{2NOT}$	Nm	5 Time of Rated Output Torque
/ Emergency Stop Torque			
/ Max. Acceleration Torque	$T_{2B}$	Nm	2.5 Times of Rated Output Torque
/ Inertia Moment		kg.m <sup>2</sup>	$5 \times 10^{-4}$
/ Rated Output Speed		rpm	15
/ Max. Output Speed		rpm	45
/ Permissible Input Speed		rpm	3,000
/ Backlash Ps	$J_i$	arcmin	$\leq 1$
/ Backlash P0	$J_i$	arcmin	$\leq 3$
/ Backlash P1	$J_i$	arcmin	$\leq 5$
/ Max. Radial Force	$F_{2rB}$	N	8,600
/ Max. Axial Force	$F_{2aB}$	N	5,700
/ Rated Life	$L_H$	hr	S5 Cycle Operation: >6,000 (S1 Continuous Operation: >3,000 hrs)
/ Torsional Rigidity		Nm/arcmin	100
/ Efficiency	$\eta$	%	$\geq 85$
/ Synthetic Grease		g	290
/ Weight		kg	11.3

# MODEL : RDN80

RATIO : 45、66、81、101、171

Unit: mm

Model Code	RDN80
A1	115、145、165
A2	M6、M8、M10
A3	95、110、130
A4	122、130、150
A5	28、32



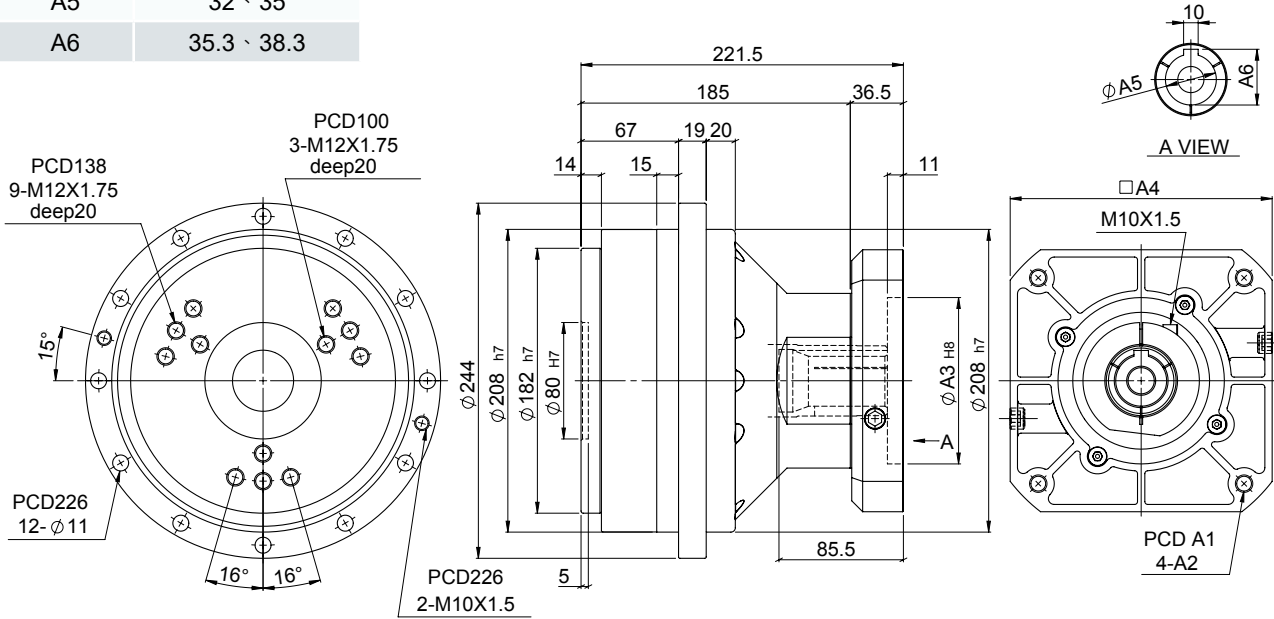
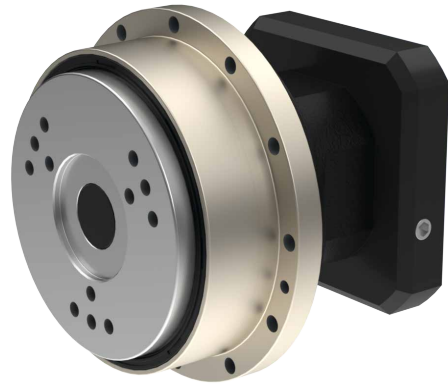
Characteristic		Unit	RDN80
Output Table Supporting Bearing	/		Angular Contact Ball Bearing
/ Rated Output Torque		Nm	800
/ Max. Output Torque	$T_{2NOT}$	Nm	5 Time of Rated Output Torque
/ Emergency Stop Torque			
/ Max. Acceleration Torque	$T_{2B}$	Nm	2.5 Times of Rated Output Torque
/ Inertia Moment		kg.m <sup>2</sup>	9 x 10 <sup>-4</sup>
/ Rated Output Speed		rpm	15
/ Max. Output Speed		rpm	42
/ Permissible Input Speed		rpm	3,000
/ Backlash Ps	$J_i$	arcmin	≤ 1
/ Backlash P0	$J_i$	arcmin	≤ 3
/ Backlash P1	$J_i$	arcmin	≤ 5
/ Max. Radial Force	$F_{2rB}$	N	12,500
/ Max. Axial Force	$F_{2aB}$	N	8,200
/ Rated Life	$L_H$	hr	S5 Cycle Operation: >6,000 (S1 Continuous Operation: >3,000 hrs)
/ Torsional Rigidity		Nm/arcmin	150
/ Efficiency	$\eta$	%	≥ 85
/ Synthetic Grease		g	480
/ Weight		kg	18.64

# MODEL : RDN110

RATIO : 41、61、81、121、161

Unit: mm

Model Code	RDN110
A1	145、165、200
A2	M8、M10、M12
A3	110、130、180
A4	130、150、190
A5	32、35
A6	35.3、38.3



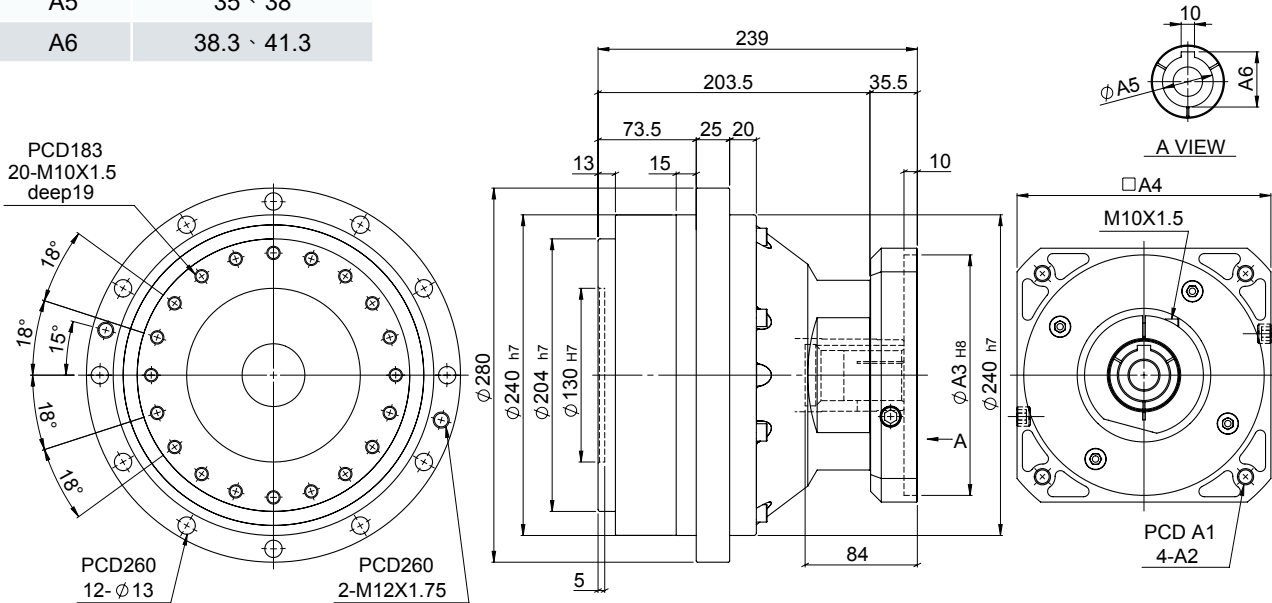
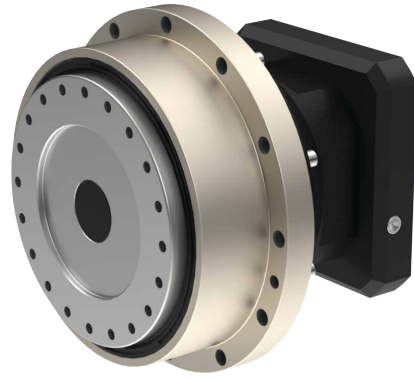
Characteristic		Unit	RDN110
Output Table Supporting Bearing			Angular Contact Ball Bearing
/ Rated Output Torque		Nm	1,100
/ Max. Output Torque	$T_{2NOT}$	Nm	5 Time of Rated Output Torque
/ Emergency Stop Torque			
/ Max. Acceleration Torque	$T_{2B}$	Nm	2.5 Times of Rated Output Torque
/ Inertia Moment		kg.m <sup>2</sup>	15 x 10 <sup>-4</sup>
/ Rated Output Speed		rpm	15
/ Max. Output Speed		rpm	35
/ Permissible Input Speed		rpm	3,000
/ Backlash Ps	$J_i$	arcmin	≤ 1
/ Backlash P0	$J_i$	arcmin	≤ 3
/ Backlash P1	$J_i$	arcmin	≤ 5
/ Max. Radial Force	$F_{2rB}$	N	16,000
/ Max. Axial Force	$F_{2aB}$	N	12,000
/ Rated Life	$L_H$	hr	S5 Cycle Operation: >6,000 (S1 Continuous Operation: >3,000 hrs)
/ Torsional Rigidity		Nm/arcmin	210
/ Efficiency	$\eta$	%	≥ 85
/ Synthetic Grease		g	710
/ Weight		kg	26.8

# MODEL : RDN160

RATIO : 41、61、81、121、161

Unit: mm

Model Code	RDN160
A1	165、200、215
A2	M8、M10、M12
A3	114.3、130、180
A4	182、200
A5	35、38
A6	38.3、41.3



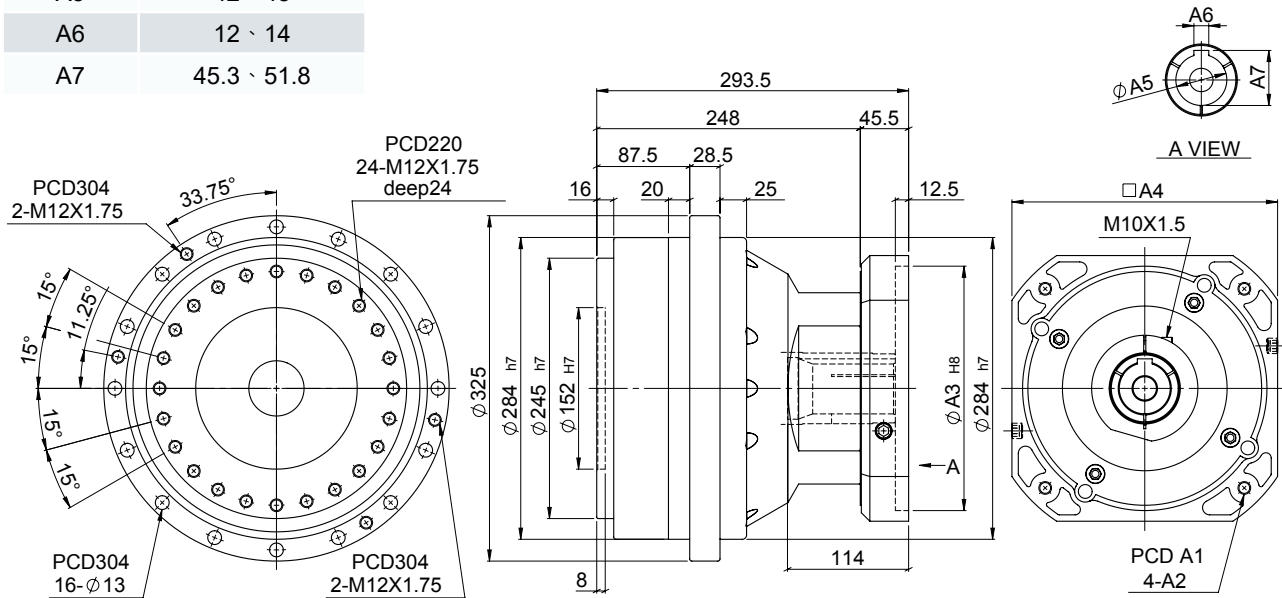
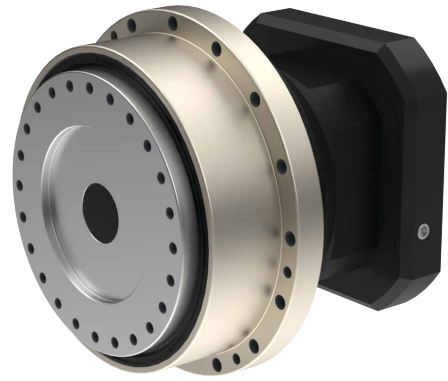
Characteristic		Unit	RDN160
Output Table Supporting Bearing			Angular Contact Ball Bearing
/ Rated Output Torque		Nm	1,600
/ Max. Output Torque	$T_{2NOT}$	Nm	5 Time of Rated Output Torque
/ Emergency Stop Torque			
/ Max. Acceleration Torque	$T_{2B}$	Nm	2.5 Times of Rated Output Torque
/ Inertia Moment		kg.m <sup>2</sup>	25 x 10 <sup>-4</sup>
/ Rated Output Speed		rpm	15
/ Max. Output Speed		rpm	27
/ Permissible Input Speed		rpm	3,000
/ Backlash Ps	$J_i$	arcmin	≤ 1
/ Backlash P0	$J_i$	arcmin	≤ 3
/ Backlash P1	$J_i$	arcmin	≤ 5
/ Max. Radial Force	$F_{2rB}$	N	19,000
/ Max. Axial Force	$F_{2aB}$	N	15,000
/ Rated Life	$L_H$	hr	S5 Cycle Operation: >6,000 (S1 Continuous Operation: >3,000 hrs)
/ Torsional Rigidity		Nm/arcmin	300
/ Efficiency	$\eta$	%	≥ 85
/ Synthetic Grease		g	800
/ Weight		kg	36.4

# MODEL : RDN320

RATIO : 41、61、81、121、161

Unit: mm

Model Code	RDN320
A1	200、215、265
A2	M10、M12、M16
A3	114.3、180、230
A4	182、200、250
A5	42、48
A6	12、14
A7	45.3、51.8



Characteristic		Unit	RDN320
Output Table Supporting Bearing			Angular Contact Ball Bearing
/ Rated Output Torque		Nm	3,200
/ Max. Output Torque	$T_{2NOT}$	Nm	5 Time of Rated Output Torque
/ Emergency Stop Torque			
/ Max. Acceleration Torque	$T_{2B}$	Nm	2.5 Times of Rated Output Torque
/ Inertia Moment		kg.m <sup>2</sup>	32 x 10 <sup>-4</sup>
/ Rated Output Speed		rpm	15
/ Max. Output Speed		rpm	21
/ Permissible Input Speed		rpm	3,000
/ Backlash Ps	$J_i$	arcmin	≤ 1
/ Backlash P0	$J_i$	arcmin	≤ 3
/ Backlash P1	$J_i$	arcmin	≤ 5
/ Max. Radial Force	$F_{2rB}$	N	25,300
/ Max. Axial Force	$F_{2aB}$	N	20,000
/ Rated Life	$L_H$	hr	S5 Cycle Operation: >6,000 (S1 Continuous Operation: >3,000 hrs)
/ Torsional Rigidity		Nm/arcmin	980
/ Efficiency	$\eta$	%	≥ 85
/ Synthetic Grease		g	1,700
/ Weight		kg	62.7