

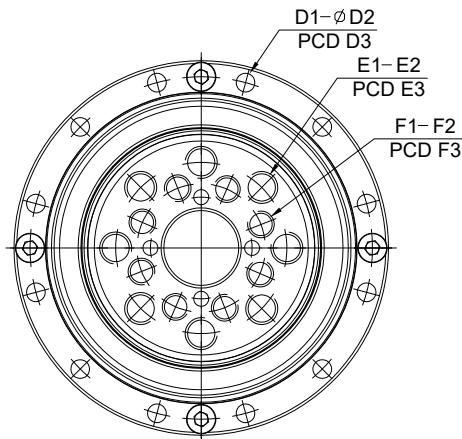


# CLS CLH CLT

Cross Roller Bearing

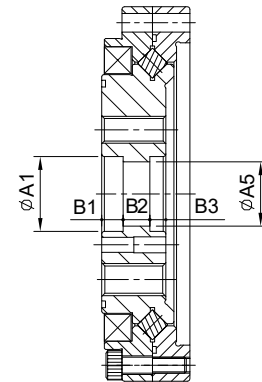
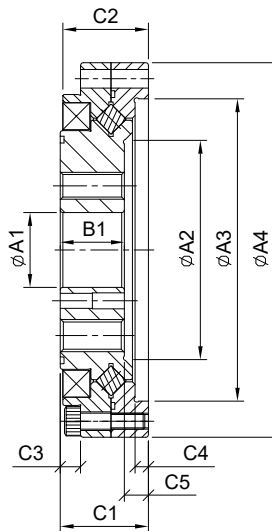
# Cross Roller Bearing

MODEL : CLS



14#,17#,20#,25#,32#

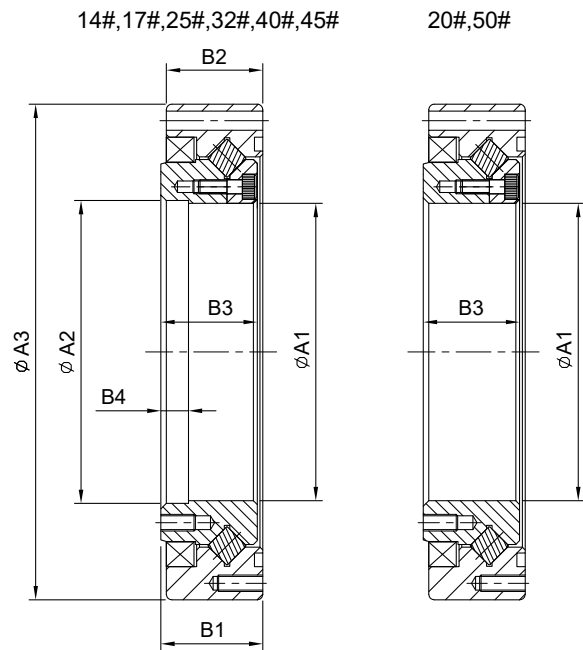
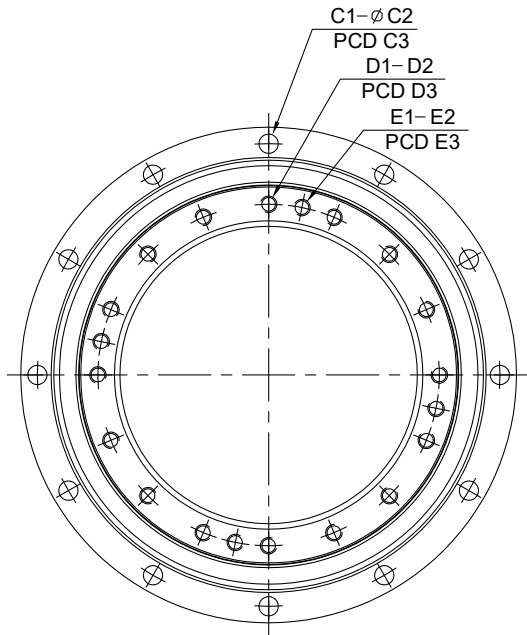
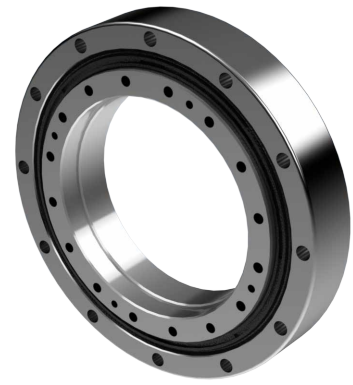
40#



Code \ Model	14	17	20	25	32	40
A1	11	10	14	20	26	32
A2	29	36	41	54	68	84
A3	41.8	49	56.5	67	90	105
A4	55	62	70	85	112	126
A5	-	-	-	-	-	24
B1	12.5	12.5	12	15	18	5
B2	-	-	-	-	-	10.5
B3	-	-	-	-	-	4
C1	16.5	16.5	16.5	18.5	22.5	24
C2	16	16	16	18	21.5	22.5
C3	4.5	4.5	4	4.5	5.5	7.5
C4	2.5	2.5	2.5	2	3	2.5
C5	4	4	4.5	3.5	4.5	4.5
D1	8	10	12	16	16	20
D2	3.5	3.5	3.5	3.5	4.5	4.5
D3	49	56	64	79	104	117
E1	6	6	8	8	8	8
E2	M4xP0.7	M5xP0.8	M6xP1.0	M8xP1.25	M10xP1.5	M10xP1.5
E3	23	27	32	42	55	68
F1	6	6	8	8	8	8
F2	M4xP0.7	M5xP0.8	M5xP0.8	M6xP1.0	M8xP1.25	M10xP1.5
F3	17	19	24	30	40	50
O-Ring	d28x1t	d32x1t	d40x1t	d50.52x1.78t	d69.57x1.78t	d82.27x1.78t

# Cross Roller Bearing

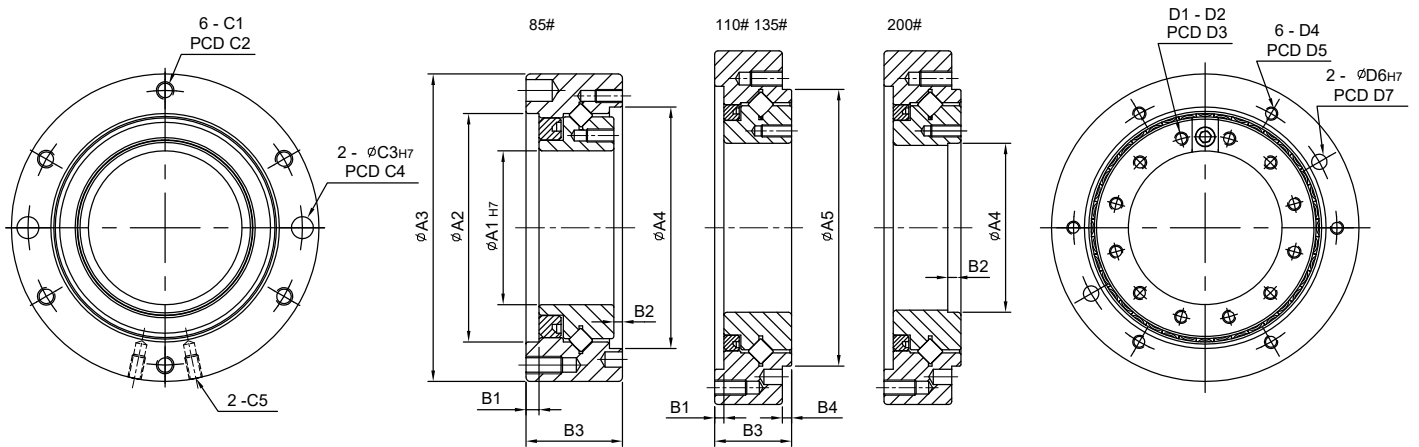
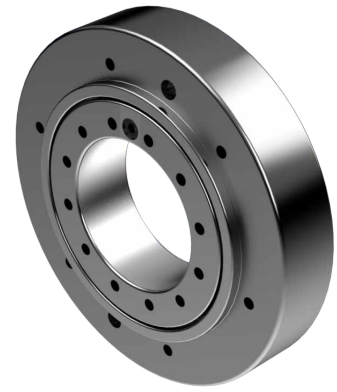
MODEL : CLH



Code \ Model	14	17	20	25	32	40	45	50
A1	36	45.5	54	66	84	106	118	135
A2	38	47	-	68	88	108	120	-
A3	70	80	90	110	142	170	190	214
B1	15.1	17	18.5	20.7	24.4	30	33	36
B2	14.1	16	17.5	18.7	23.4	29	32	34
B3	14.6	16.4	17.5	19.7	23.4	28.5	31.5	34.5
B4	5	6.5	-	7.5	8	9.5	10	-
C1	8	12	12	12	12	12	18	12
C2	3.5	3.4	3.5	4.5	5.5	5.5	6.5	9
C3	64	74	84	102	132	158	180	200
D1	12	20	16	16	16	16	12	16
D2	M3xP0.5 deep6	M3xP0.5 deep6	M3xP0.5 deep6	M4xP0.7 deep8	M5xP0.8 deep8	M6xP1.0 deep10	M8xP1.25 deep10	M8xP1.25 deep15
D3	44	54	62	77	100	122	140	154
E1	-	-	4	4	4	4	4	8
E2	-	-	M3xP0.5 deep6	M3xP0.5 deep6	M4xP0.7 deep8	M5xP0.8 deep10	M5xP0.8 deep10	M5xP0.8 deep10
E3	-	-	62	77	100	122	140	154
O-Ring	d53.7x1.78t	d63.22x1.78t	d70.5x2t	d84.5x2t	d114x2t	d139.37x2.62t	d158.42x2.62t	d171.12x2.62t

# Cross Roller Bearing

MODEL : CLT



Code \ Model	85	110	135	200
A1	35	40	55	105
A2	52	59	92	140
A3	70	95	115	170
A4	55	-	-	108
A5	-	68	90	-
B1	3	3	3	4
B2	2	-	-	6
B3	22	21	25	31
B4	-	3	3	2
C1	M4xP0.7	M5xP0.8	M5xP0.8	M6xP1.0
C2	62.5	80	104	155
C3	5	5	5	6
C4	62.5	80	104	155
C5	M3xP0.7	M3xP0.7	M3xP0.7	M3xP0.7
D1	12	12	12	16
D2	M3xP0.7	M4xP0.7	M4xP0.7	M6xP1.0
D3	42	48	65	122
D4	M3xP0.7	M4xP0.7	M5xP0.8	M6xP1.0
D5	60	76	97	158
D6	3.5	5	5	6
D7	60	76	97	158