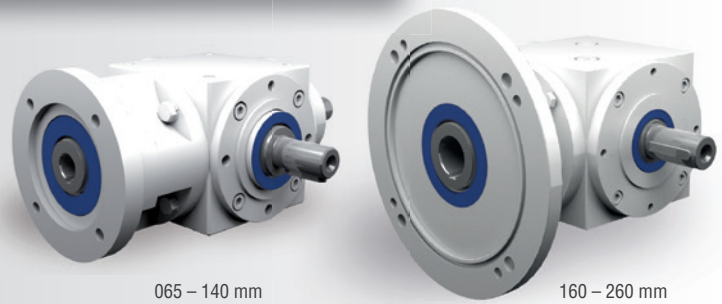


6.5 Type VL – Type V with flange for motor mounting

6.5.1 Features

- Gear ratios: $i = 1:1$ to $6:1$
- Maximum output torque: 2310 Nm
- 8 gearbox sizes with edge lengths of 065 to 260 mm
- Low-backlash construction < 6 angular minutes possible
- Suitable for fitting IEC standard motors
- Drive side with hollow-bored shaft and flange
- Housing made of grey cast iron or steel



6.5.2 Models

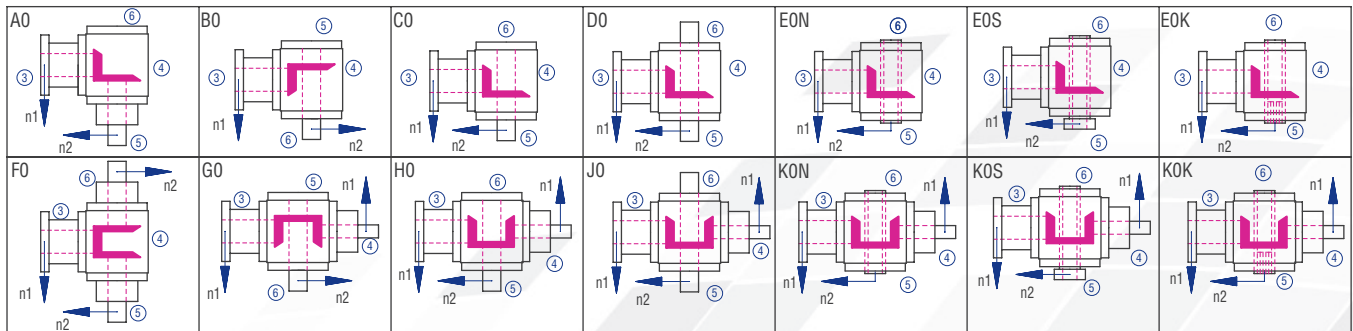


Figure 6.5.2-1; Models

6.5.3 Gearbox sides

The example shows the Model C0

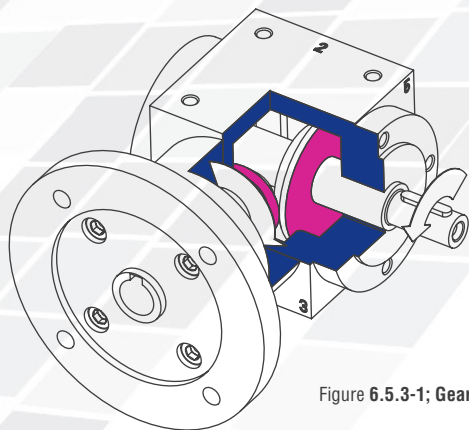


Figure 6.5.3-1; Gearbox sides

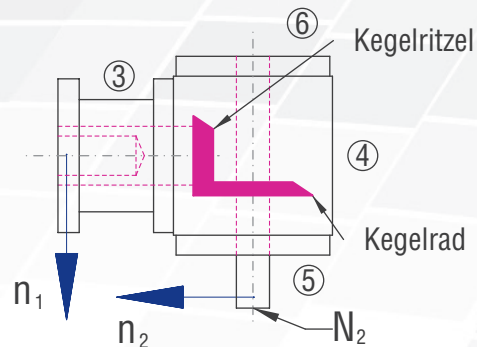


Figure 6.5.3-2; Shaft designations

6.5.4 Order code

The order code reflects the customer specifications. Example:

Type	Size	Gear ratio	Model	Fixing side	Installation position	Speed n_2	Design
VL	065	1:1	C0-	1.	1-	1500	/0000
Description	Size Table 6.5.5-1	Table 6.5.5-1	Figure 6.5.2-1	Gearbox side on which fixing is made; Table 6.2.3-1; Figure 4.3.1-1; Gearbox sides	Gearbox side directed downwards; Figure 4.3.1-1 Gearbox sides	Slowly rotating shaft; Table 6.5.5-1	Standard
	D120	/14x30					
	Flange diameter	Shaft diameter x length					

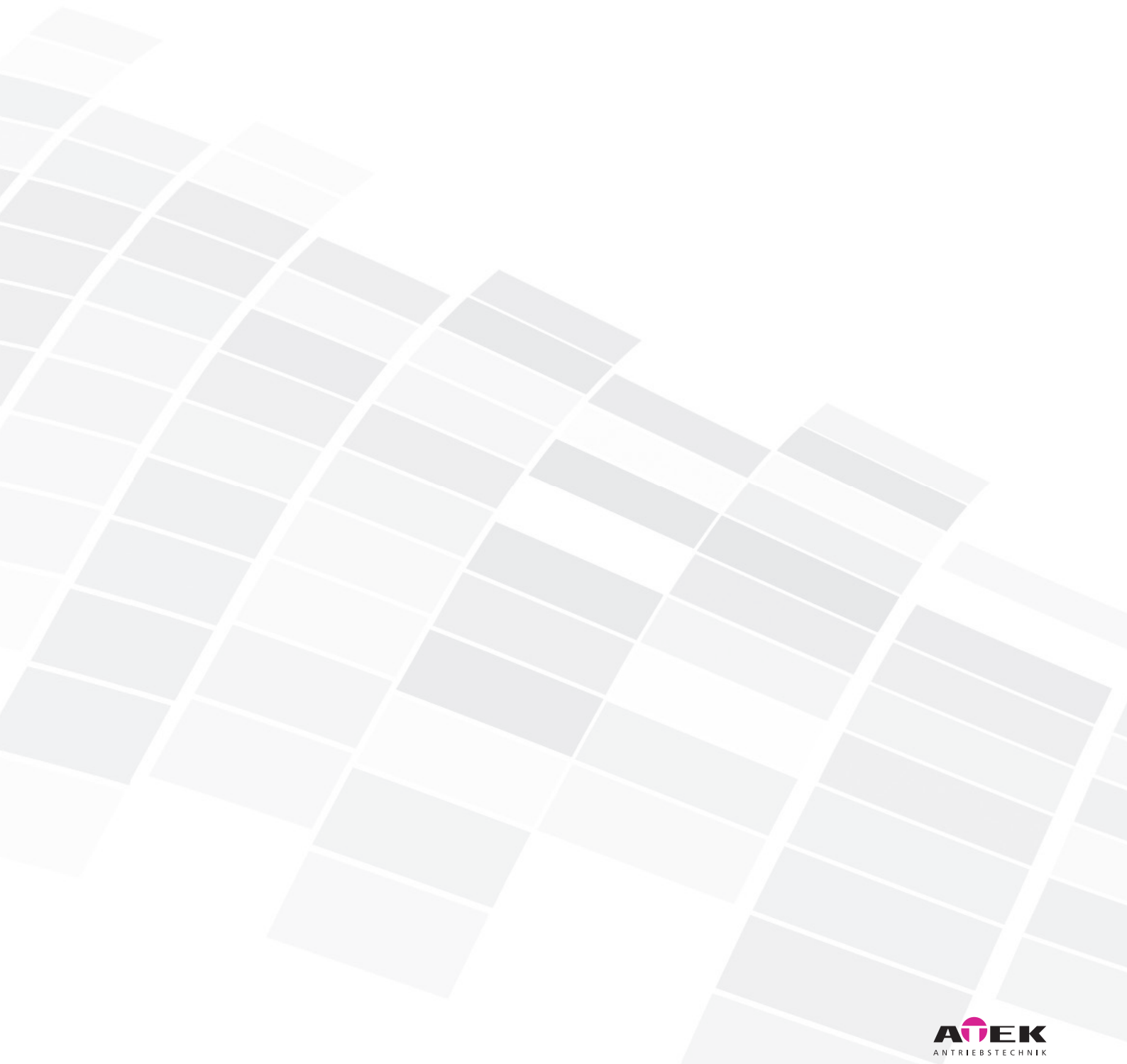
Table 6.5.4-1

6.5.5 Overview of performance data

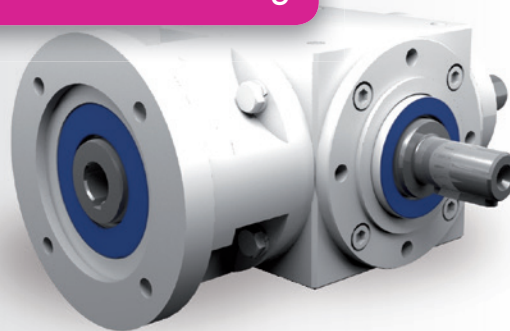
P ₁ [kW]	n ₂ [rpm]	T ₂ [Nm]	T _{2N} [Nm]	T _{2 max} [Nm]	i [-]	IEC motor	Gearbox size	P _{1NT} [kW]	
0.12	1340	0.81	11	25	1:1	063A-4	065	1.6	
	893	1.22	11	25	1.5:1	063A-4	065	1.6	
	670	1.62	11	25	2:1	063A-4	065	1.6	
	593	1.84	13	25	1.5:1	063B-6	065	1.6	
	447	2.44	11	23	3:1	063A-4	065	1.6	
	296	3.68	12	23	3:1	063B-6	065	1.6	
0.18	2680	0.61	10	25	1:1	063A-2	065	1.6	
	1787	0.91	10	25	1.5:1	063A-2	065	1.6	
	1340	1.22	10	25	1:1	063B-4	065	1.6	
	893	1.83	10	25	1.5:1	063B-4	065	1.6	
	670	2.44	10	25	2:1	063B-4	065	1.6	
	593	2.75	10	25	1.5:1	071A-6	065	1.6	
	450	3.63	11	23	3:1	063B-4	065	1.6	
	445	3.67	10	25	2:1	071A-6	065	1.6	
	335	4.87	27	70	4:1	063B-4	090	3.8	
	296	5.52	11	23	3:1	071A-6	065	1.6	
	268	6.09	27	60	5:1	063B-4	090	3.8	
	224	7.29	25	50	6:1	063B-4	090	3.8	
0.25	178	9.17	31	60	5:1	071A-6	090	3.8	
	167	9.75	32	70	4:1	080A-8	090	3.8	
	148	11.03	29	50	6:1	071A-6	090	3.8	
	112	14.58	30	50	6:1	080A-8	090	3.8	
	2700	0.84	10	25	1:1	063B-2	065	1.6	
	1800	1.26	10	25	1.5:1	063B-2	065	1.6	
	1350	1.68	10	25	1:1	071A-4	065	1.6	
	890	2.55	10	25	1:1	071B-6	065	1.6	
	675	3.36	10	25	2:1	071A-4	065	1.6	
	540	4.20	23	60	5:1	063B-2	090	3.8	
	450	5.04	27	70	3:1	071A-4	090	3.8	
	450	5.04	11	25	3:1	071A-4	065	1.6	
0.37	337	6.72	27	70	4:1	071A-4	090	3.8	
	296	7.65	31	70	3:1	071B-6	090	3.8	
	270	8.40	27	60	5:1	071A-4	090	3.8	
	225	10.08	25	50	6:1	071A-4	090	3.8	
	178	12.74	31	60	5:1	071B-6	090	3.8	
	148	15.33	29	50	6:1	071B-6	090	3.8	
	134	16.93	32	60	5:1	080B-8	090	3.8	
	112	20.25	30	50	6:1	080B-8	090	3.8	
	2800	1.20	10	25	1:1	071A-2	065	1.6	
	1400	2.40	10	25	2:1	071A-2	065	1.6	
	1350	2.49	10	25	1:1	071B-4	065	1.6	
	0.55	933	3.60	10	23	3:1	071A-2	065	1.6
900		3.73	29	40	1.5:1	071B-4	090	3.8	
675		4.97	10	25	2:1	071B-4	065	1.6	
675		4.97	27	30	2:1	071B-4	090	3.8	
600		5.59	32	40	1.5:1	080A-6	090	3.8	
560		5.99	23	60	5:1	071A-2	090	3.8	
450		7.46	27	70	3:1	071B-4	090	3.8	
337		9.95	27	70	4:1	071B-4	090	3.8	
270		12.43	27	60	5:1	071B-4	090	3.8	
225		14.92	25	50	6:1	071B-4	090	3.8	
180		18.65	31	60	5:1	080A-6	090	3.8	
150		22.38	29	50	6:1	080A-6	090	3.8	
0.75	2810	1.78	10	25	1:1	071B-2	065	1.6	
	1873	2.66	10	23	1.5:1	071B-2	065	1.6	
	1405	3.55	10	25	2:1	071B-2	065	1.6	
	936	5.33	10	23	3:1	071B-2	065	1.6	
	936	5.33	23	70	3:1	071B-2	090	3.8	
	906	5.50	29	40	1.5:1	080A-4	090	3.8	
	702	7.10	23	70	4:1	071B-2	090	3.8	
	680	7.34	27	30	2:1	080A-4	090	3.8	
	600	8.32	32	40	1.5:1	080B-6	090	3.8	
	562	8.88	23	60	5:1	071B-2	090	3.8	
	453	11.01	27	70	3:1	080A-4	090	3.8	
	340	14.68	27	70	4:1	080A-4	090	3.8	
1.1	300	16.63	31	70	3:1	080B-6	090	3.8	
	272	18.35	72	140	5:1	080A-4	120	6.2	
	227	21.98	25	50	6:1	080A-4	090	3.8	
	180	27.72	31	60	5:1	080B-6	090	3.8	
	172	28.93	82	155	4:1	090L-8	120	6.2	
	150	33.27	67	120	6:1	080B-6	120	6.2	
	138	36.16	86	140	5:1	090L-8	120	6.2	
	115	43.39	69	120	6:1	090L-8	120	6.2	
	1.5	1880	3.62	25	40	1.5:1	080A-2	090	3.8
		1410	4.83	23	30	2:1	080A-2	090	3.8
		1360	5.00	32	105	1:1	080B-4	090	3.8
		940	7.24	23	70	3:1	080A-2	090	3.8
906		7.50	29	40	1.5:1	080B-4	090	3.8	
705		9.65	23	70	4:1	080A-2	090	3.8	
680		10.01	27	30	2:1	080B-4	090	3.8	
606		11.22	86	100	1.5:1	090S-6	120	6.2	
564		12.06	27	60	5:1	080A-2	090	3.8	
453		15.01	27	70	3:1	080B-4	090	3.8	
340		20.01	27	70	4:1	080B-4	090	3.8	
2.2		303	22.43	82	155	3:1	090S-6	120	6.2
	272	25.02	72	140	5:1	080B-4	120	6.2	
	227	29.98	64	120	6:1	080B-4	120	6.2	
	182	37.39	80	140	5:1	090S-6	120	6.2	
	152	44.77	67	113	6:1	090S-6	120	6.2	
	138	49.31	86	140	5:1	100LA-8	120	6.2	
	115	59.17	69	118	6:1	100LA-8	120	6.2	
	2820	3.54	27	105	1:1	080B-2	090	3.8	
	1880	5.31	25	40	1.5:1	080B-2	090	3.8	
	1410	7.08	23	30	2:1	080B-2	090	3.8	
	940	10.62	23	70	3:1	080B-2	090	3.8	
	920	10.85	78	100	1.5:1	090S-4	120	6.2	
3.0	705	14.16	23	70	4:1	080B-2	090	3.8	
	690	14.46	73	80	2:1	090S-4	120	6.2	
	606	16.45	86	100	1.5:1	090L-6	120	6.2	
	564	17.69	60	140	5:1	080B-2	120	6.2	
	460	21.70	74	155	3:1	090S-4	120	6.2	
	345	28.93	74	155	4:1	090S-4	120	6.2	
	303	32.90	82	155	3:1	090L-6	120	6.2	
	276	36.16	72	140	5:1	090S-4	120	6.2	
	227	43.87	79	155	4:1	090L-6	120	6.2	
	182	54.83	80	140	5:1	090L-6	120	6.2	
	152	65.66	67	120	6:1	090L-6	120	6.2	
	138	72.32	86	140	5:1	100LB-8	120	6.2	
4.0	1420	9.58	56	80	2:1	090S-2	120	6.2	
	946	14.38	58	155	3:1	090S-2	120	6.2	
	920	14.79	78	100	1.5:1	090L-4	120	6.2	
	710	19.17	60	155	4:1	090S-2	120	6.2	
	690	19.72	73	80	2:1	090L-4	120	6.2	
	613	22.19	78	100	1.5:1	100LA-6	120	6.2	
	568	23.96	60	140	5:1	090S-2	120	6.2	
	460	29.58	74	155	3:1	090L-4	120	6.2	
	345	39.45	74	155	4:1	090L-4	120	6.2	
	306	44.38	82	155	3:1	100LA-6	120	6.2	
	276	49.31	72	140	5:1	090L-4	120	6.2	
	230	59.17	64	120	6:1	090L-4	120	6.2	
6.0	184	73.96	80	140	5:1	100LA-6	120	6.2	
	154	88.37	113	200	6:1	100LA-6	140	10	
	140	97.21	130	250	5:1	112M-8	140	10	
	117	116.31	118	200	6:1	112M-8	140	10	
	1893	10.54	61	100	1.5:1	090L-2	120	6.2	
	1420	14.06	56	80	2:1	090L-2	120	6.2	
	940	21.23	78	100	1.5:1	100LA-4	120	6.2	
	710	28.11	60	155	4:1	090L-2	120	6.2	
	626	31.85	80	100	1.5:1	112M-6	120	6.2	
	568	35.14	60	140	5:1	090L-2	120	6.2	
	470	42.47	74	155	3:1	100LA-4	120	6.2	
	352	56.62	74	155	4:1	100LA-4	120	6.2	
313	63.70	82	155	3:1	112M-6	120	6.2		
188	106.17	124	250	5:1	112M-6	140	10		
157	127.13	165	200	6:1	112M-6	160	15		
141	141.56	240	420	5:1	132SB-8	160	15		
118	169.15	178	200	6:1	132SB-8	160	15		

Table 6.5.5-1

Bavol gearboxes



6.5.6 Type VL 065 – Type V with flange for motor mounting



Characteristics

Characteristic	Standard	Option
Toothing	Bevel gear set, spiral-toothed	See chapter 6.2.1
Gear ratio	1:1 to 3:1	
Housing / Flanges	Grey cast iron	
Threaded mounting hole	On all housing surfaces without flange and on all flanges.	See chapter 6.2.3
Shaft	Material 1 C45, shaft ends greased Fit with ISO 6 tolerance with parallel keyway: according to DIN 6885 Sheet 1	See chapter 4.6.2
Hollow shaft	Material 1 C45, shafts greased Fit with ISO 7 tolerance with parallel keyway: according to DIN 6885 Sheet 1	See chapter 4.6.3
Radial shaft seal ring	NBR, form A	See chapter 4.8
Ambient temperature	-10°C to +90°C. The values of the performance tables are valid for +20°C	See chapter 4.9.3
Circumferential backlash	< 30 arcmin	See chapter 6.2.10
Protection class	IP 54	See chapter 4.5
Corrosion protection	Prime coat; layer thickness > 40 µm	See chapter 4.4.1
Bearing life L10h	more than 15,000h	See chapter 4.9.1
Oil change intervals	Not required if the oil temperature is kept < 90°C The lifetime of the bearings can be increased by the factor 1.5 if the oil is changed after the first 500 service hours and then every 5000 service hours.	See chapter 6.2.8
Lubricants	Synthetic lubricants	See chapter 6.2.8
Flange	Suited for the mounting of IEC motors	
Coupling	Three-piece claw coupling	

Performance data

n ₁ [rpm]	1:1			1.5:1			2:1			3:1			4:1			5:1			6:1			
	n ₂ [rpm]	P _{1N} [kW]	T _{2N} [Nm]	n ₂ [rpm]	P _{1N} [kW]	T _{2N} [Nm]	n ₂ [rpm]	P _{1N} [kW]	T _{2N} [Nm]	n ₂ [rpm]	P _{1N} [kW]	T _{2N} [Nm]	n ₂ [rpm]	P _{1N} [kW]	T _{2N} [Nm]	n ₂ [rpm]	P _{1N} [kW]	T _{2N} [Nm]	n ₂ [rpm]	P _{1N} [kW]	T _{2N} [Nm]	
3000	3000	3.31	10	2000	2.20	10	1500	1.65	10	1000	1.10	10										
2400	2400	2.65	10	1600	1.76	10	1200	1.32	10	800	0.88	10										
1500	1500	1.82	11	1000	1.21	11	750	0.91	11	500	0.61	11										
1000	1000	1.32	12	667	0.88	12	500	0.66	12	333	0.44	12										
750	750	1.07	13	500	0.72	13	375	0.54	13	250	0.33	12										
500	500	0.83	15	333	0.55	15	250	0.41	15	167	0.24	13										
250	250	0.47	17	167	0.31	17	125	0.23	17	83	0.12	13										
50	50	0.10	18	33	0.07	18	25	0.05	18	17	0.03	14										
P _{1Nt} [kW]		1.6			1.6			1.6			1.6											
T _{2max} [Nm]		25			25			25			23											

Permissible radial force F_{r2} and axial force F_{a2} on shaft N₂

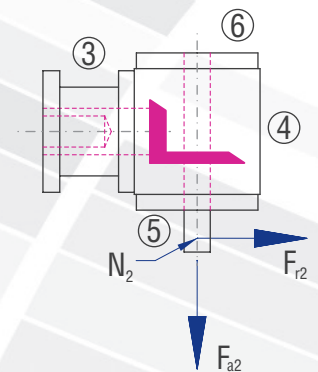
n ₂ [rpm]	3000		1000		500		250		100		50	
T _{2N} [Nm]	F _r [N]	F _a [N]	F _r [N]	F _a [N]	F _r [N]	F _a [N]	F _r [N]	F _a [N]	F _r [N]	F _a [N]	F _r [N]	F _a [N]
< 12	300	150	400	200	500	250	650	325	750	375	900	450
> 12	250	125	330	165	420	210	540	270	630	315	750	375

Inertia moments/mass

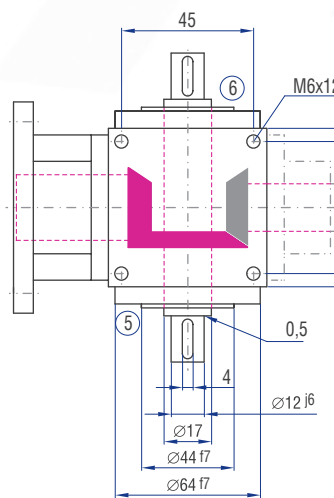
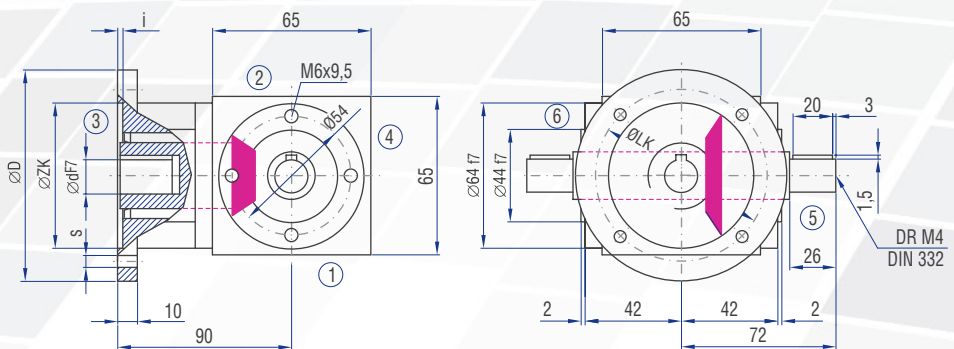
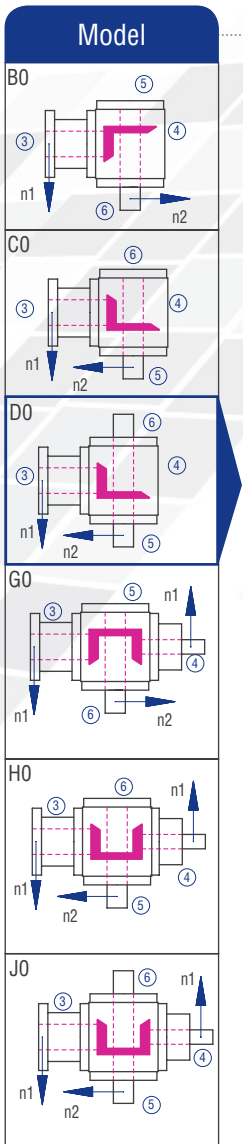
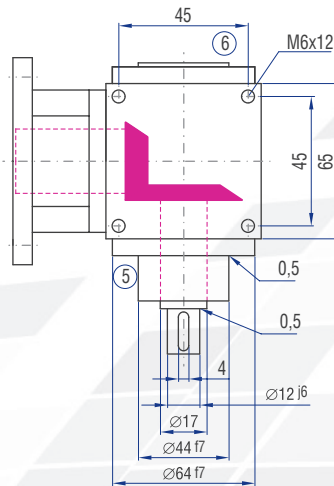
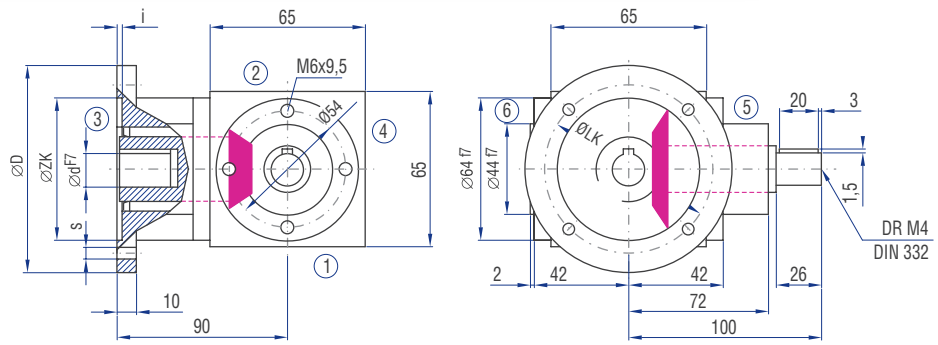
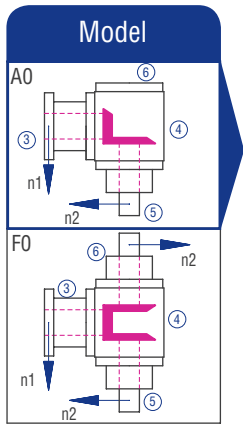
Inertia moment J₁ related to the fast-rotating shaft (N₁)

Model	Inertia moment [kgcm ²]						
	1:1	1.5:1	2:1	3:1	4:1	5:1	6:1
AO	0.62060	0.48590	0.43630	0.37670			
BO	0.65490	0.55640	0.48540	0.37320			
CO	0.65490	0.55640	0.48540	0.37320			
DO	0.66480	0.56080	0.48790	0.37430			
EON	0.70720	0.60870	0.53770	0.42550			
EOS	0.83300	0.73450	0.66350	0.55130			
FO	0.81500	0.57230	0.48490	0.39830			
GO	0.84930	0.71060	0.62070	0.45520			
HO	0.84930	0.71060	0.62070	0.45520			
JO	0.85920	0.71500	0.62320	0.45630			
KON	0.90160	0.76290	0.67300	0.50750			
KOS	1.02740	0.88870	0.79880	0.63330			

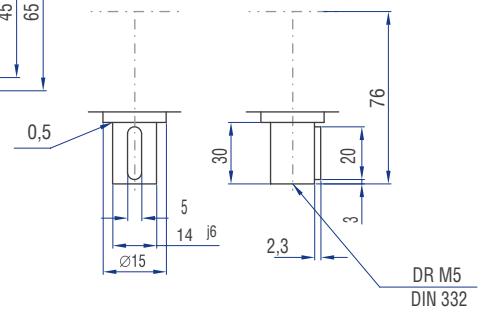
Mass [kg]
3.3
3.2
3.2
3.3
3.1
3.1
3.7
3.6
3.6
3.7
3.5
3.5



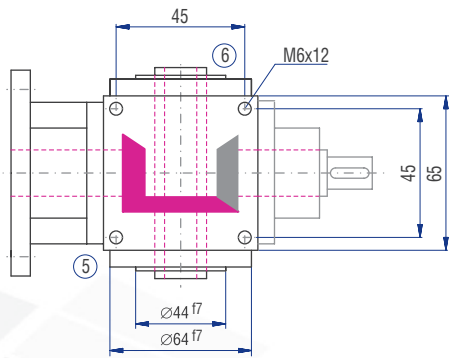
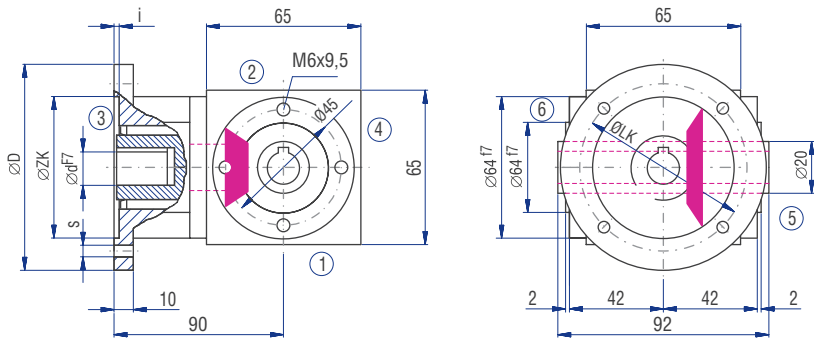
6.5.6 Type VL 065 – Type V with flange for motor mounting



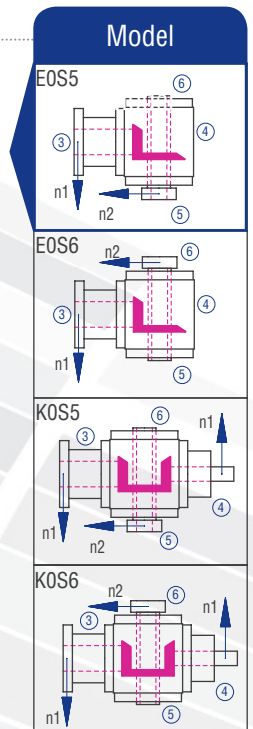
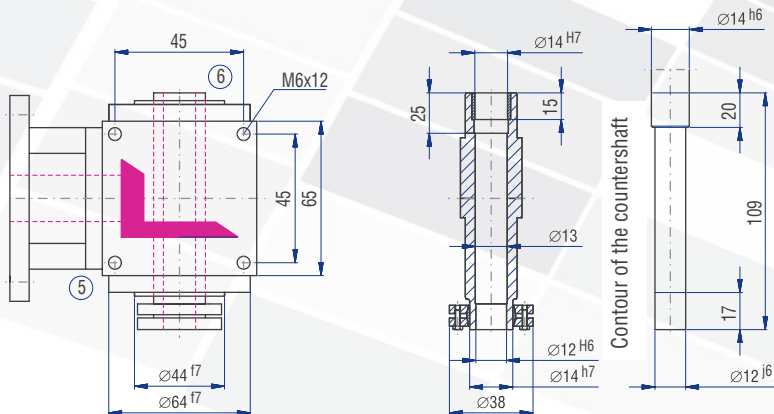
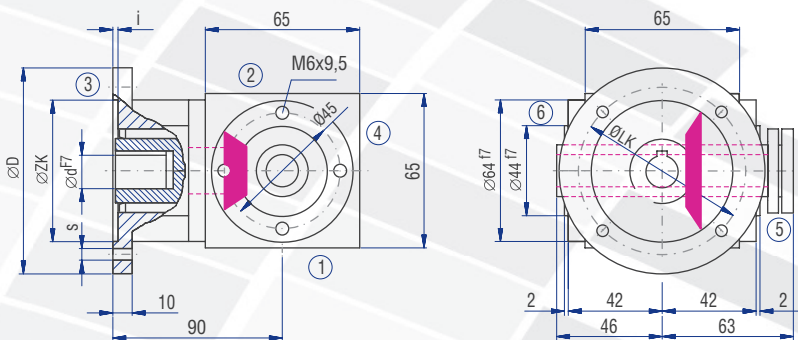
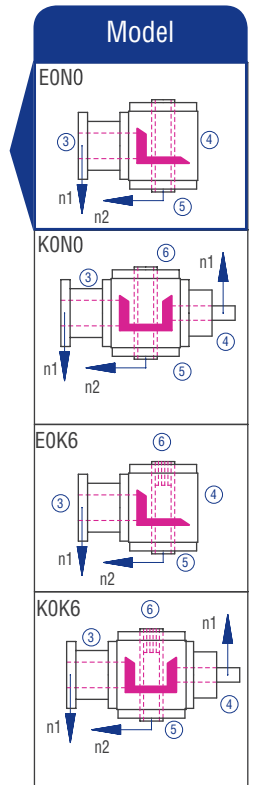
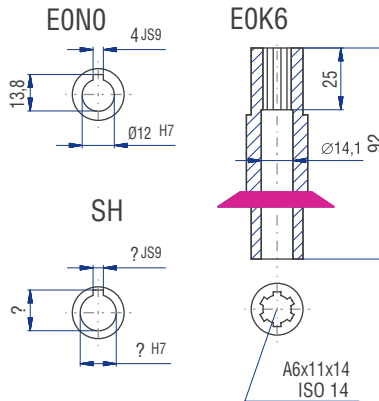
Implementation VV
on demand



IEC motor	Model	Shaft (d x l)	D [mm]	LK [mm]	ZK [mm]	s [mm]	i [mm]
63	B14	11x23	120	100	80	7	3
	B5	11x23	140	115	95	9	3
71	B14	14x30	105	85	70	7	3
	B14	14x30	140	115	95	9	3

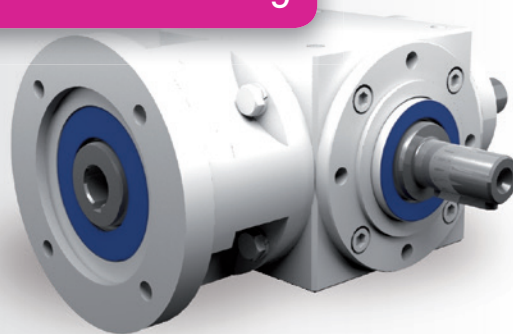


Implementation



The dimensions of the Models not shown can be figured by mirroring available dimensions.
The shaft dimensions on side 4 follow from the dimensions of type A0.

6.5.7 Type VL 090 – Type V with flange for motor mounting



Characteristics

Characteristic	Standard	Option
Toothing	Bevel gear set, spiral-toothed	See chapter 6.2.1
Gear ratio	1:1 to 6:1	
Housing / Flanges	Grey cast iron	
Threaded mounting hole	On all housing surfaces without flange and on all flanges.	See chapter 6.2.3
Shaft	Material 1 C45, shaft ends greased Fit with ISO 6 tolerance with parallel keyway: according to DIN 6885 Sheet 1	See chapter 4.6.2
Hollow shaft	Material 1 C45, shafts greased Fit with ISO 7 tolerance with parallel keyway: according to DIN 6885 Sheet 1	See chapter 4.6.3
Radial shaft seal ring	NBR, form A	See chapter 4.8
Ambient temperature	-10°C to +90°C. The values of the performance tables are valid for +20°C	See chapter 4.9.3
Circumferential backlash	< 30 arcmin	See chapter 6.2.10
Protection class	IP 54	See chapter 4.5
Corrosion protection	Prime coat; layer thickness > 40 µm	See chapter 4.4.1
Bearing life L10h	more than 15,000h	See chapter 4.9.1
Oil change intervals	Not required if the oil temperature is kept < 90°C The lifetime of the bearings can be increased by the factor 1.5 if the oil is changed after the first 500 service hours and then every 5000 service hours.	See chapter 6.2.8
Lubricants	Synthetic lubricants	See chapter 6.2.8
Flange	Suited for the mounting of IEC motors	
Coupling	Three-piece claw coupling	

Performance data

n ₁ [rpm]	1:1			1.5:1			2:1			3:1			4:1			5:1			6:1			
	n ₂ [rpm]	P _{1N} [kW]	T _{2N} [Nm]	n ₂ [rpm]	P _{1N} [kW]	T _{2N} [Nm]	n ₂ [rpm]	P _{1N} [kW]	T _{2N} [Nm]	n ₂ [rpm]	P _{1N} [kW]	T _{2N} [Nm]	n ₂ [rpm]	P _{1N} [kW]	T _{2N} [Nm]	n ₂ [rpm]	P _{1N} [kW]	T _{2N} [Nm]	n ₂ [rpm]	P _{1N} [kW]	T _{2N} [Nm]	
3000	3000	8.93	27	2000	5.51	25	1500	3.80	23	1000	2.54	23	750	1.90	23	600	1.52	23	500	1.25	23	
2400	2400	7.41	28	1600	4.59	26	1200	3.17	24	800	2.12	24	600	1.65	25	480	1.32	25	400	1.09	25	
1500	1500	5.29	32	1000	3.20	29	750	2.23	27	500	1.49	27	375	1.12	27	300	0.89	27	250	0.74	27	
1000	1000	3.75	34	667	2.35	32	500	1.71	31	333	1.14	31	250	0.85	31	200	0.68	31	167	0.53	29	
750	750	3.06	37	500	1.93	35	375	1.32	32	250	0.88	32	188	0.66	32	150	0.53	32	125	0.40	29	
500	500	2.20	40	333	1.36	37	250	0.94	34	167	0.63	34	125	0.47	34	100	0.37	34	83	0.27	29	
250	250	1.21	44	167	0.74	40	125	0.50	36	83	0.33	36	63	0.25	36	50	0.20	36	42	0.14	30	
50	50	0.28	50	33	0.16	45	25	0.10	37	17	0.07	37	13	0.05	37	10	0.04	37	8	0.03	33	
P _{1Nt} [kW]		3.8			3.8			3.8			3.8			3.8			3.8					
T _{2max} [Nm]		105			80			80			70			70			60			50		

Permissible radial force F_{r2} and axial force F_{a2} on shaft N₂

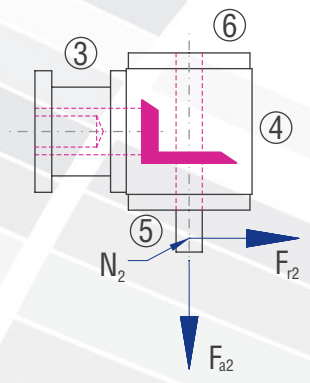
n ₂ [rpm]	3000		1000		500		250		100		50	
T _{2N} [Nm]	F _r [N]	F _a [N]	F _r [N]	F _a [N]	F _r [N]	F _a [N]	F _r [N]	F _a [N]	F _r [N]	F _a [N]	F _r [N]	F _a [N]
< 30	500	250	660	330	800	400	950	475	1250	625	1500	750
> 30	420	210	550	275	670	335	790	395	1040	520	1250	625

Inertia moments/mass

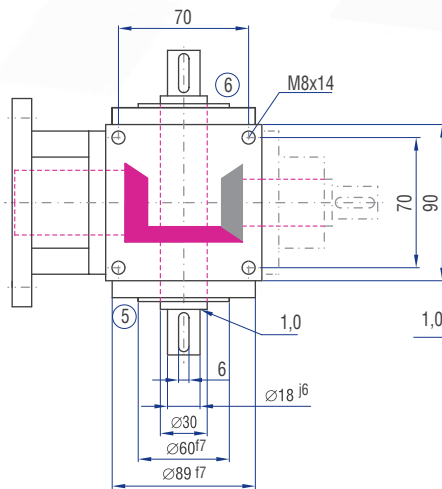
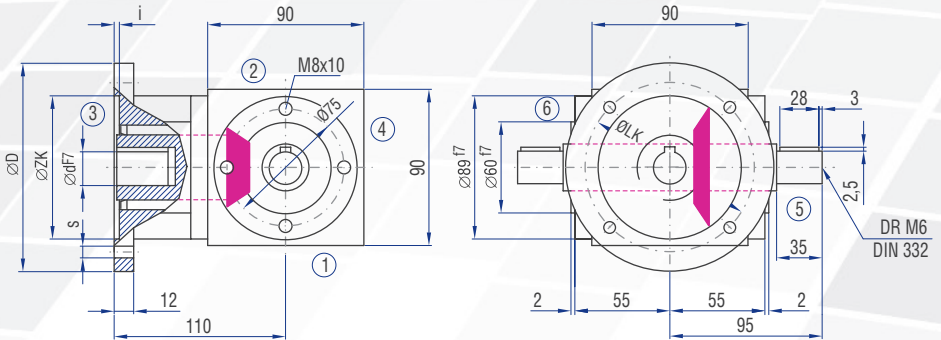
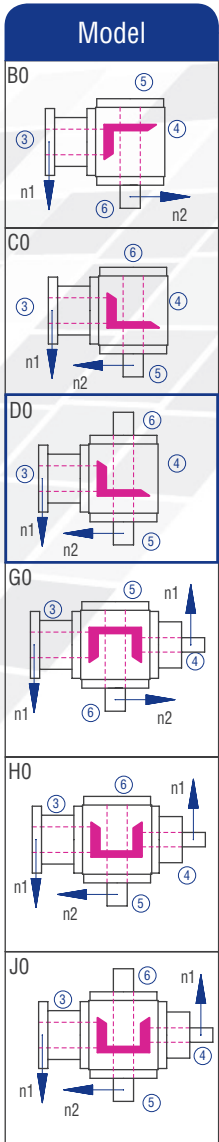
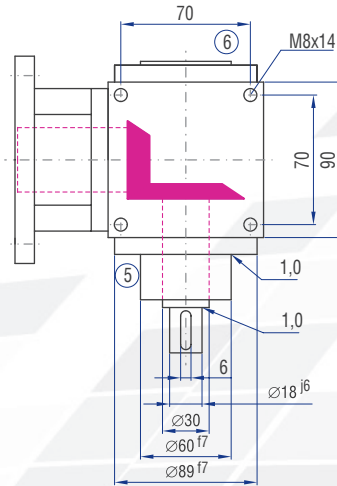
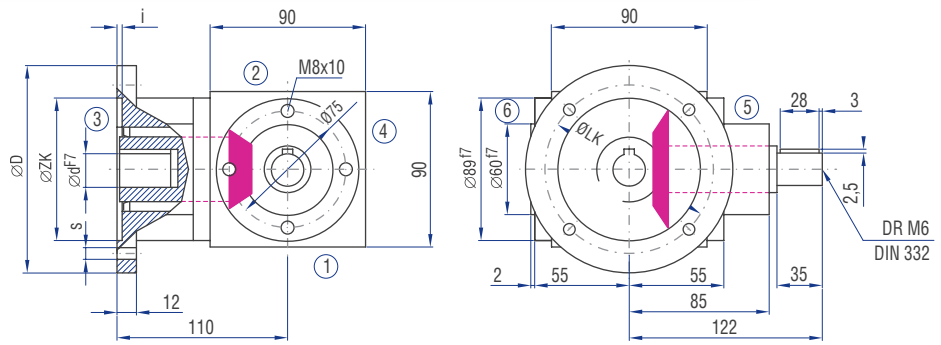
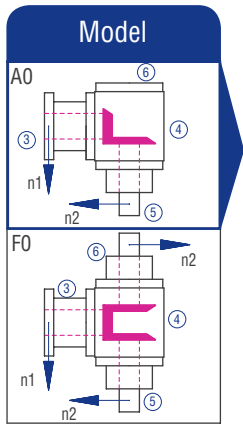
Inertia moment J₁ related to the fast-rotating shaft (N₁)

Model	Inertia moment [kgcm ²]						
	1:1	1.5:1	2:1	3:1	4:1	5:1	6:1
A0	2.88400	1.82740	1.48200	1.22120	1.15050	1.09920	1.09330
B0	3.67930	2.52850	1.70350	1.37930	1.24810	1.16770	1.13730
C0	3.67930	2.52850	1.70350	1.37930	1.24810	1.16770	1.13730
D0	3.70770	2.54110	1.71060	1.38240	1.24990	1.16890	1.13810
EON	3.57570	2.48240	1.67760	1.36780	1.24160	1.16360	1.13440
EOS	4.24630	2.78050	1.84520	1.44230	1.28350	1.19040	1.15310
FO	4.16350	2.39600	1.80190	1.36330	1.23040	1.15040	1.12890
GO	4.95880	3.44200	2.52730	2.12550	1.53120	1.44130	1.40800
HO	4.95880	3.44200	2.52730	2.12550	1.53120	1.44130	1.40800
JO	4.98720	3.45460	2.53440	2.12860	1.53300	1.44250	1.40880
KON	4.85520	3.39590	2.50140	2.11400	1.52470	1.43720	1.40510
KOS	5.52580	3.69400	2.66900	2.18850	1.56660	1.46110	1.42380

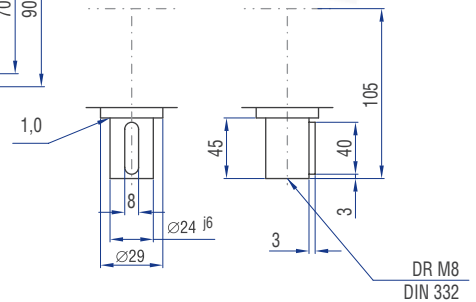
Mass [kg]
6.7
7.0
7.0
7.1
6.6
6.8
7.9
8.5
8.5
8.6
8.1
8.3



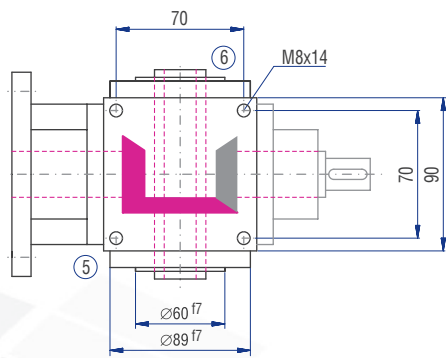
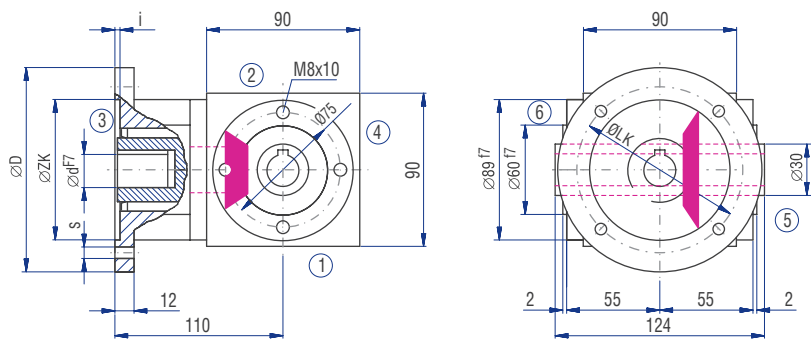
6.5.7 Type VL 090 – Type V with flange for motor mounting



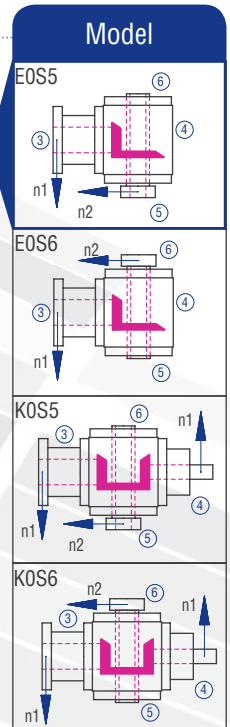
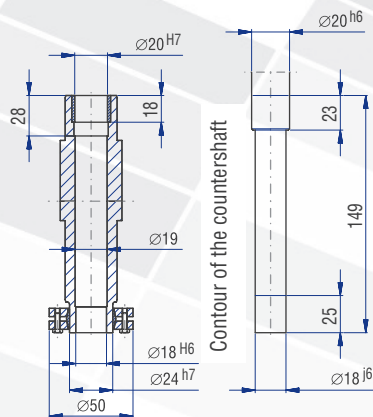
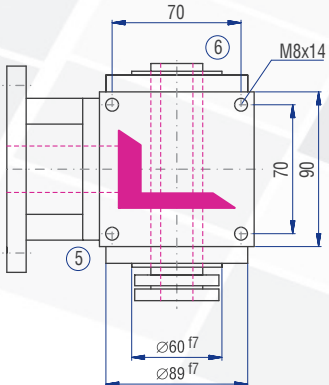
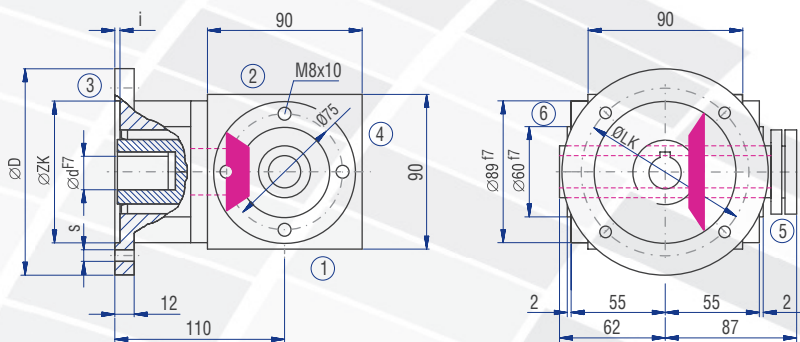
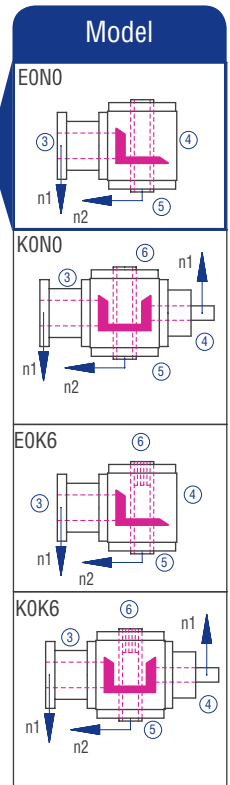
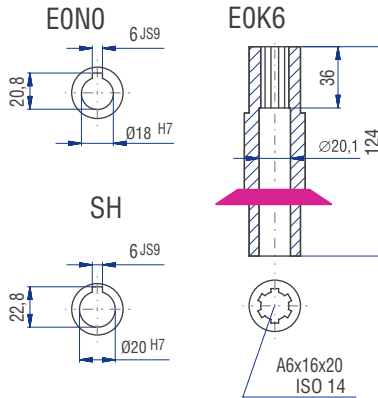
Implementation VV



IEC motor	Model	Shaft (dxl)	D [mm]	LK [mm]	ZK [mm]	s [mm]	i [mm]
63	B14	11x23	120	100	80	7	3
	B5	11x23	140	115	95	9	3
71	B14	14x30	140	115	95	9	3
	B5	14x30	160	130	110	9	4
80	B14	19x40	120	100	80	7	3
	B14	19x40	160	130	110	9	4

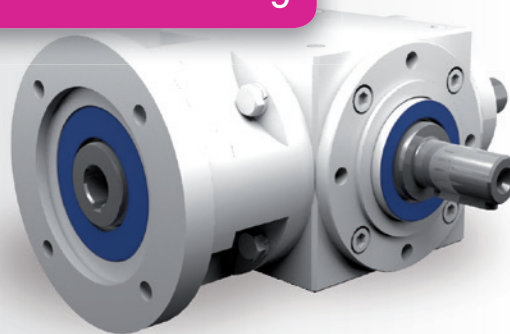


Implementation



The dimensions of the Models not shown can be figured by mirroring available dimensions.
The shaft dimensions on side 4 follow from the dimensions of type A0.

6.5.8 Type VL 120 – Type V with flange for motor mounting



Characteristics

Characteristic	Standard	Option
Toothing	Bevel gear set, spiral-toothed	See chapter 6.2.1
Gear ratio	1:1 to 6:1	
Housing / Flanges	Grey cast iron	
Threaded mounting hole	On all housing surfaces without flange and on all flanges.	See chapter 6.2.3
Shaft	Material 1 C45, shaft ends greased Fit with ISO 6 tolerance with parallel keyway: according to DIN 6885 Sheet 1	See chapter 4.6.2
Hollow shaft	Material 1 C45, shafts greased Fit with ISO 7 tolerance with parallel keyway: according to DIN 6885 Sheet 1	See chapter 4.6.3
Radial shaft seal ring	NBR, form A	See chapter 4.8
Ambient temperature	-10°C to +90°C. The values of the performance tables are valid for +20°C	See chapter 4.9.3
Circumferential backlash	< 30 arcmin	See chapter 6.2.10
Protection class	IP 54	See chapter 4.5
Corrosion protection	Prime coat; layer thickness > 40 µm	See chapter 4.4.1
Bearing life L10h	more than 15,000h	See chapter 4.9.1
Oil change intervals	Not required if the oil temperature is kept < 90°C The lifetime of the bearings can be increased by the factor 1.5 if the oil is changed after the first 500 service hours and then every 5000 service hours.	See chapter 6.2.8
Lubricants	Synthetic lubricants	See chapter 6.2.8
Flange	Suited for the mounting of IEC motors	
Coupling	Three-piece claw coupling	

Performance data

n ₁ [rpm]	1:1			1.5:1			2:1			3:1			4:1			5:1			6:1						
	n ₂ [rpm]	P _{1N} [kW]	T _{2N} [Nm]	n ₂ [rpm]	P _{1N} [kW]	T _{2N} [Nm]	n ₂ [rpm]	P _{1N} [kW]	T _{2N} [Nm]	n ₂ [rpm]	P _{1N} [kW]	T _{2N} [Nm]	n ₂ [rpm]	P _{1N} [kW]	T _{2N} [Nm]	n ₂ [rpm]	P _{1N} [kW]	T _{2N} [Nm]	n ₂ [rpm]	P _{1N} [kW]	T _{2N} [Nm]				
3000	3000	21.82	66	2000	13.45	61	1500	9.26	56	1000	6.39	58	750	4.96	60	600	3.97	60	500	2.95	54				
2400	2400	18.52	70	1600	11.46	65	1200	8.07	61	800	5.56	63	600	4.43	67	480	3.44	65	400	2.53	57				
1500	1500	13.56	82	1000	8.60	78	750	6.03	73	500	4.08	74	375	3.06	74	300	2.38	72	250	1.75	64				
1000	1000	10.14	92	667	6.32	86	500	4.40	80	333	3.01	82	250	2.18	79	200	1.76	80	167	1.22	66				
750	750	8.51	103	500	5.18	94	375	3.30	80	250	2.40	87	188	1.69	82	150	1.42	86	125	0.94	68				
500	500	6.34	115	333	3.70	100	250	2.20	80	167	1.66	90	125	1.16	84	100	0.98	89	83	0.63	69				
250	250	3.39	123	167	1.84	100	125	1.10	80	83	0.87	95	63	0.60	87	50	0.51	92	42	0.33	71				
50	50	0.72	130	33	0.37	100	25	0.22	80	17	0.21	110	13	0.12	90	10	0.10	95	8	0.06	66				
P _{1Nt} [kW]		6.2			6.2			6.2			6.2			6.2			6.2			6.2					
T _{2max} [Nm]		220			169			80			155			155			140			120					

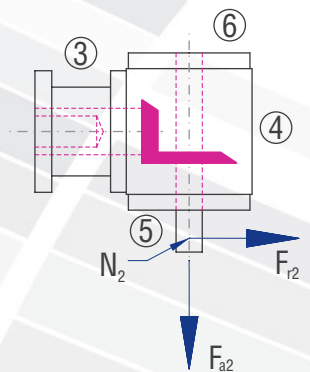
Permissible radial force F_{r2} and axial force F_{a2} on shaft N₂

n ₂ [rpm]	3000		1000		500		250		100		50	
T _{2N} [Nm]	F _r [N]	F _a [N]	F _r [N]	F _a [N]	F _r [N]	F _a [N]	F _r [N]	F _a [N]	F _r [N]	F _a [N]	F _r [N]	F _a [N]
< 80	750	375	1000	500	1250	625	1500	750	1900	950	2200	1100
> 80	630	315	830	415	1040	520	1250	625	1580	790	1830	915

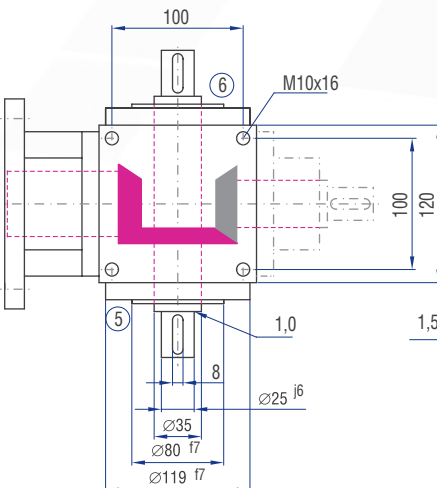
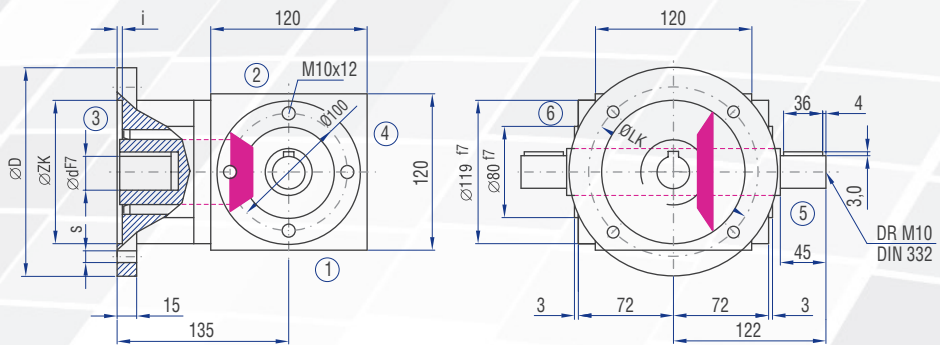
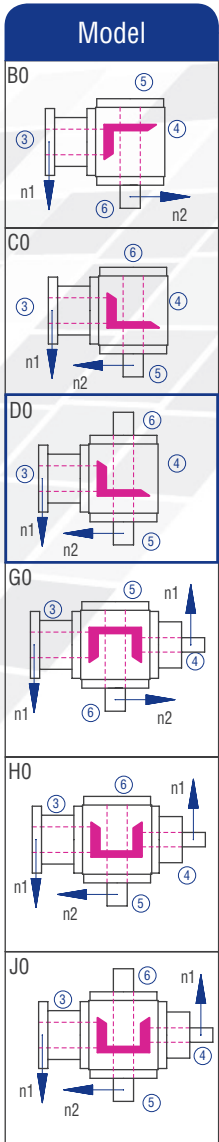
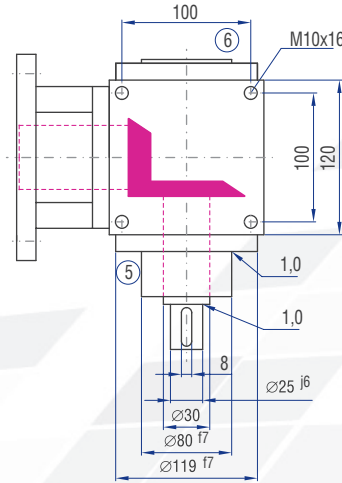
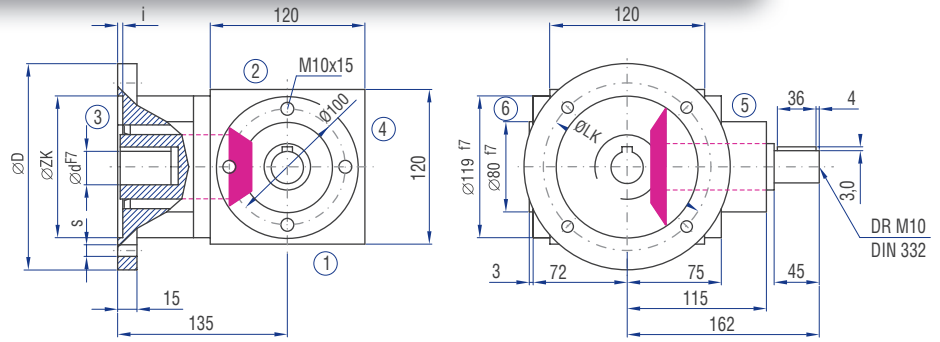
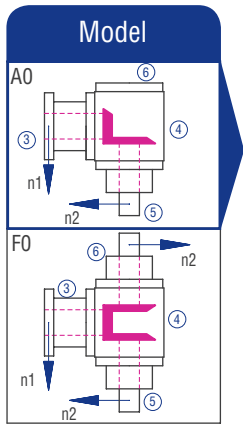
Inertia moments/mass

Inertia moment J₁ related to the fast-rotating shaft (N₁)

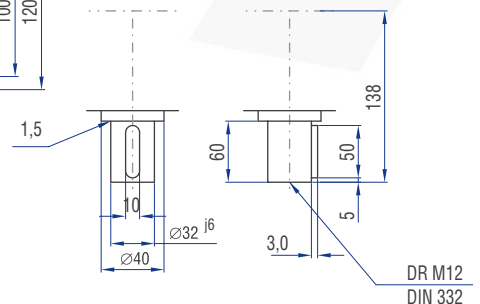
Model	Inertia moment [kgcm ²]							Mass [kg]
	1:1	1.5:1	2:1	3:1	4:1	5:1	6:1	
A0	12.5824	6.93340	5.40030	4.79750	4.46280	4.29660	4.22670	15.6
B0	17.3870	9.53660	6.72850	5.49390	4.91930	4.60430	4.44830	15.3
C0	17.3870	9.53660	6.72850	5.49390	4.91930	4.60430	4.44830	15.3
D0	17.6844	9.66870	6.80280	5.52690	4.93790	4.61620	4.45660	15.5
E0N	17.2787	9.48840	6.70140	5.48190	4.91250	4.60000	4.44530	15.0
E0S	19.0660	10.2828	7.14820	5.68040	5.02420	4.67150	4.49500	15.3
F0	17.8312	9.26620	6.71250	5.38070	4.79080	4.50650	4.37250	18.0
G0	22.6358	12.0447	9.06280	7.22660	5.80760	5.14590	4.97910	17.7
H0	22.6358	12.0447	9.06280	7.22660	5.80760	5.14590	4.97910	17.7
J0	22.9332	12.1768	9.13710	7.25960	5.82620	5.15780	4.98740	17.9
K0N	22.5275	11.9965	9.03570	7.21460	5.80080	5.14160	4.97610	17.4
K0S	24.3148	12.7909	9.48250	7.41310	5.91250	5.21310	5.02580	17.7



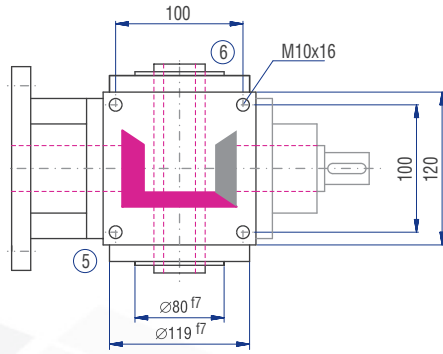
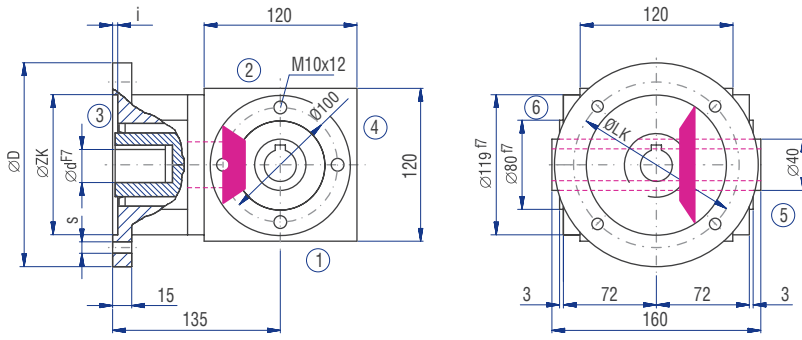
6.5.8 Type VL 120 – Type V with flange for motor mounting



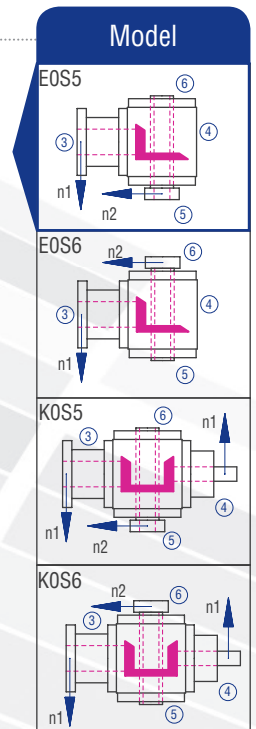
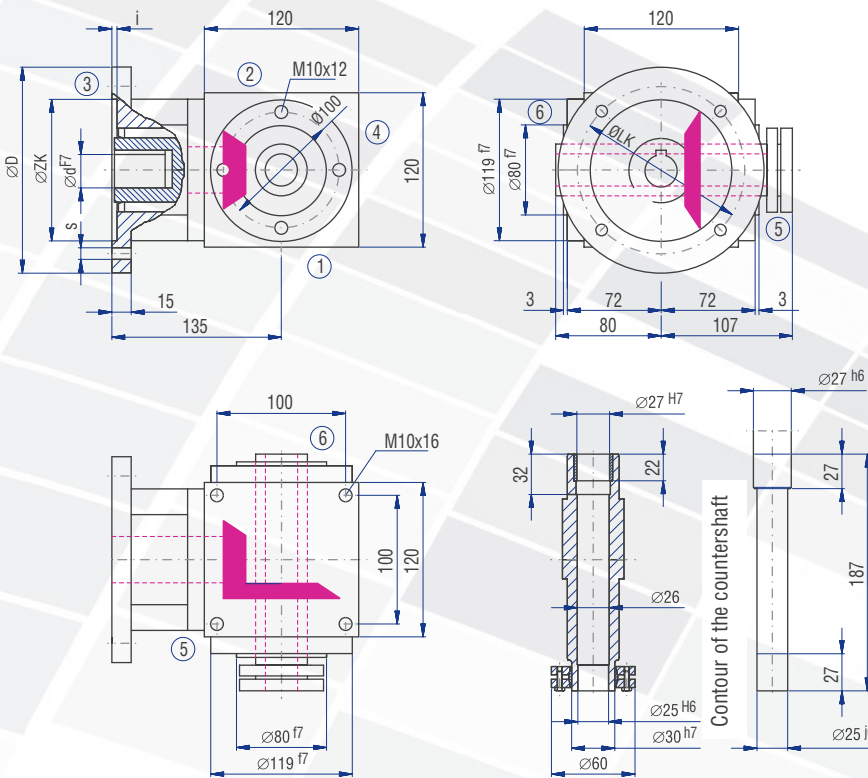
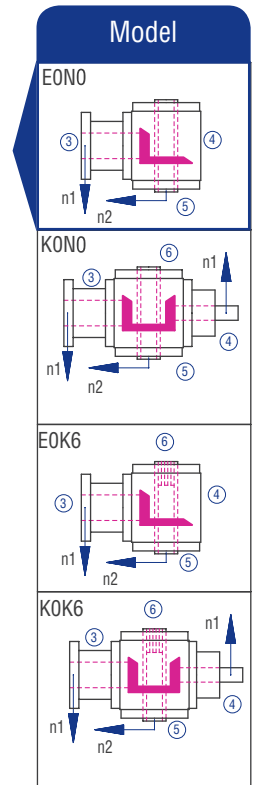
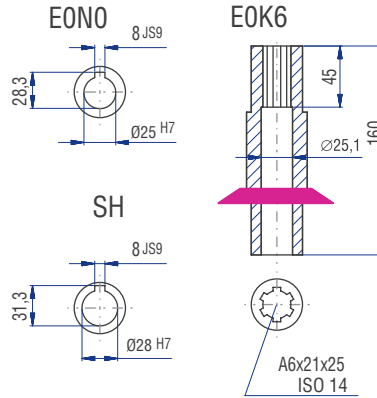
Implementation VV



IEC motor	Model	Shaft (dxl)	D [mm]	LK [mm]	ZK [mm]	s [mm]	i [mm]
71	B14	14x30	140	115	95	9	3
	B5	19x40	160	130	110	9	4
80	B14	19x40	200	165	130	11	4
	B5	24x50	200	165	130	11	4
90	B14	24x50	160	130	110	9	4
	B5	24x50	200	165	130	11	4
100	B14	28x60	200	165	130	11	4
	B5	28x60	250	215	180	14	5
112	B14	28x60	200	165	130	11	4
	B5	28x60	250	215	180	14	5

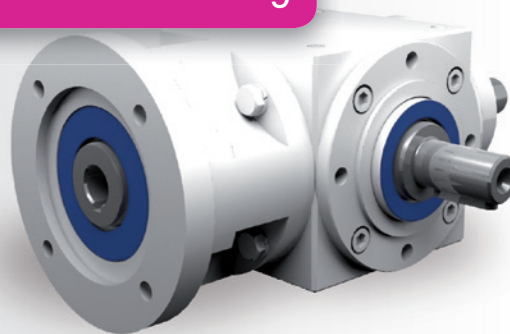


Implementation



The dimensions of the Models not shown can be figured by mirroring available dimensions.
The shaft dimensions on side 4 follow from the dimensions of type A0.

6.5.9 Type VL 140 – Type V with flange for motor mounting



Characteristics

Characteristic	Standard	Option
Toothing	Bevel gear set, spiral-toothed	See chapter 6.2.1
Gear ratio	1:1 to 6:1	
Housing / Flanges	Grey cast iron	
Threaded mounting hole	On all housing surfaces without flange and on all flanges.	See chapter 6.2.3
Shaft	Material 1 C45, shaft ends greased Fit with ISO 6 tolerance with parallel keyway: according to DIN 6885 Sheet 1	See chapter 4.6.2
Hollow shaft	Material 1 C45, shafts greased Fit with ISO 7 tolerance with parallel keyway: according to DIN 6885 Sheet 1	See chapter 4.6.3
Radial shaft seal ring	NBR, form A	See chapter 4.8
Ambient temperature	-10°C to +90°C. The values of the performance tables are valid for +20°C	See chapter 4.9.3
Circumferential backlash	< 30 arcmin	See chapter 6.2.10
Protection class	IP 54	See chapter 4.5
Corrosion protection	Prime coat; layer thickness > 40 µm	See chapter 4.4.1
Bearing life L10h	more than 15,000h	See chapter 4.9.1
Oil change intervals	Not required if the oil temperature is kept < 90°C The lifetime of the bearings can be increased by the factor 1.5 if the oil is changed after the first 500 service hours and then every 5000 service hours.	See chapter 6.2.8
Lubricants	Synthetic lubricants	See chapter 6.2.8
Flange	Suited for the mounting of IEC motors	
Coupling	Three-piece claw coupling	

Performance data

n ₁ [rpm]	1:1			1.5:1			2:1			3:1			4:1			5:1			6:1			
	n ₂ [rpm]	P _{1N} [kW]	T _{2N} [Nm]	n ₂ [rpm]	P _{1N} [kW]	T _{2N} [Nm]	n ₂ [rpm]	P _{1N} [kW]	T _{2N} [Nm]	n ₂ [rpm]	P _{1N} [kW]	T _{2N} [Nm]	n ₂ [rpm]	P _{1N} [kW]	T _{2N} [Nm]	n ₂ [rpm]	P _{1N} [kW]	T _{2N} [Nm]	n ₂ [rpm]	P _{1N} [kW]	T _{2N} [Nm]	
3000	3000	39.68	120	2000	24.91	113	1500	16.53	100	1000	12.12	110	750	8.51	103	600	6.61	100	500	5.18	94	
2400	2400	37.04	140	1600	22.22	126	1200	14.68	111	800	11.46	130	600	7.34	111	480	5.56	105	400	4.58	104	
1500	1500	26.78	162	1000	17.08	155	750	11.41	138	500	8.05	146	375	4.96	120	300	3.80	115	250	2.95	107	
1000	1000	20.28	184	667	12.87	175	500	8.38	152	333	5.87	160	250	3.75	136	200	2.73	124	167	2.06	112	
750	750	16.20	196	500	10.47	190	375	6.86	166	250	4.60	167	188	3.06	148	150	2.15	130	125	1.61	117	
500	500	11.46	208	333	7.34	200	250	4.96	180	167	3.20	174	125	2.12	154	100	1.50	136	83	1.09	119	
250	250	5.92	215	167	3.76	204	125	2.48	180	83	1.62	177	63	1.12	162	50	0.79	143	42	0.56	121	
50	50	1.21	220	33	0.76	210	25	0.50	180	17	0.34	180	13	0.23	170	10	0.17	150	8	0.11	120	
P _{1Nt} [kW]		10.0			10.0			10.0			10.0			10.0			10.0					
T _{2max} [Nm]		430			358			180			280			280			250			200		

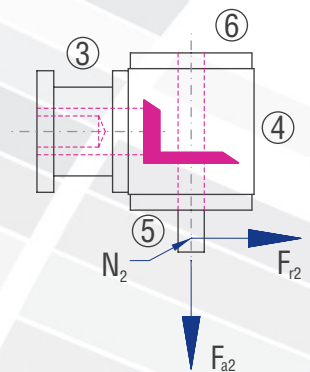
Permissible radial force F_{r2} and axial force F_{a2} on shaft N₂

n ₂ [rpm]	3000		1000		500		250		100		50	
T _{2N} [Nm]	F _r [N]	F _a [N]	F _r [N]	F _a [N]	F _r [N]	F _a [N]	F _r [N]	F _a [N]	F _r [N]	F _a [N]	F _r [N]	F _a [N]
< 140	1300	650	1700	850	2000	1000	2500	1250	3000	1500	3800	1900
> 140	1082	541	1420	710	1670	835	2080	1040	2500	1250	3170	1585

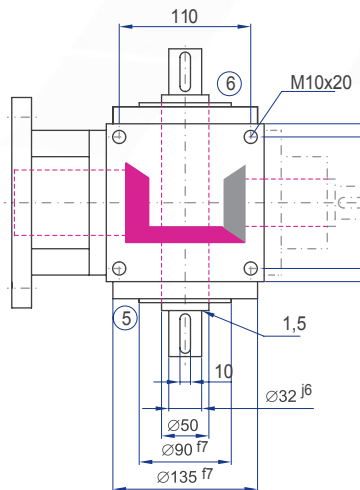
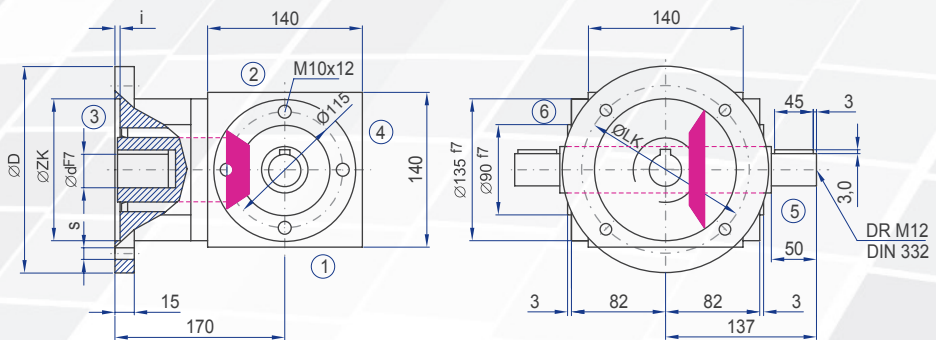
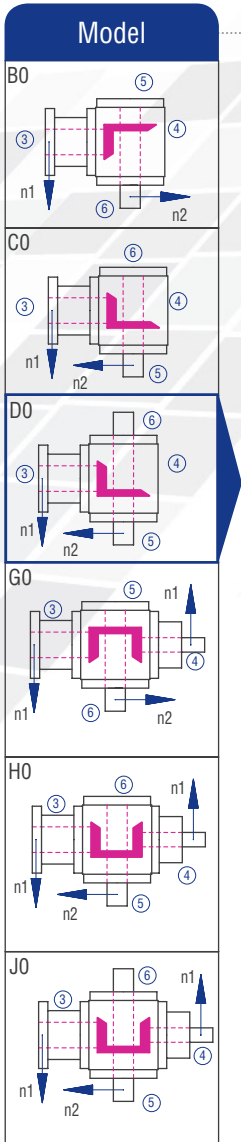
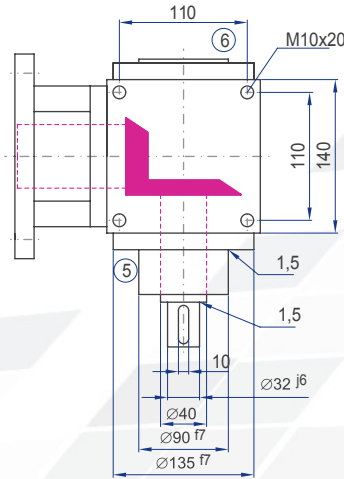
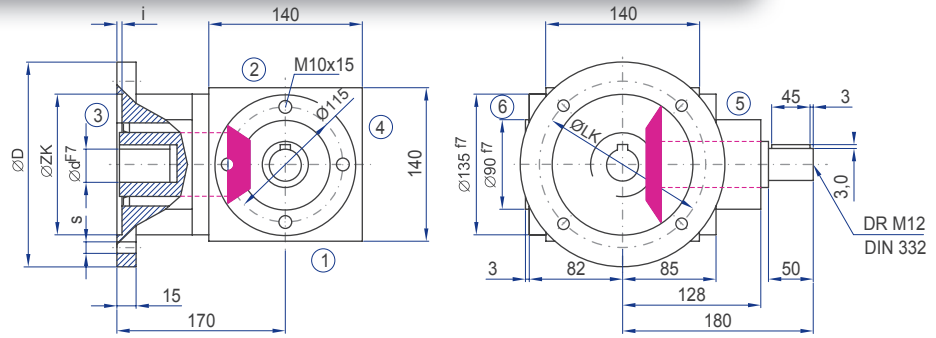
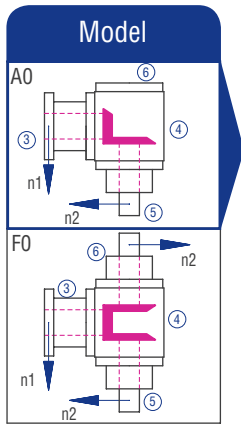
Inertia moments/mass

Inertia moment J₁ related to the fast-rotating shaft (N₁)

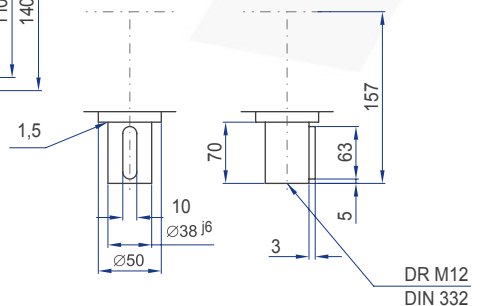
Model	Inertia moment [kgcm ²]							Mass [kg]
	1:1	1.5:1	2:1	3:1	4:1	5:1	6:1	
A0	34.6752	23.0606	18.4863	16.3939	15.2904	14.8851	14.6758	24.0
B0	45.8411	28.2365	21.6470	17.4945	15.7845	15.3137	14.9457	23.5
C0	45.8411	28.2365	21.6470	17.4945	15.7845	15.3137	14.9457	23.5
D0	46.8232	28.6730	21.8926	17.6037	15.8459	15.3530	14.9729	24.0
EON	42.4047	26.7092	20.7879	17.1127	15.5697	15.1763	14.8502	23.0
EOS	48.8060	29.5543	22.3883	17.8240	15.9698	15.4323	15.0280	23.7
FO	46.4752	30.6161	22.2113	18.2717	16.4716	15.6611	15.2424	28.0
GO	58.9746	34.2563	27.0398	22.4708	16.8069	16.3204	15.9517	27.7
HO	58.9746	34.2563	27.0398	22.4708	16.8069	16.3204	15.9517	27.7
JO	59.9567	34.6928	27.2854	22.5800	16.8683	16.3597	15.9789	28.2
KON	55.5382	32.7290	26.1807	22.0890	16.5921	16.1830	15.8562	27.2
KOS	61.9395	35.5741	27.7811	22.8003	16.9922	16.4390	16.0340	27.9



6.5.9 Type VL 140 – Type V with flange for motor mounting

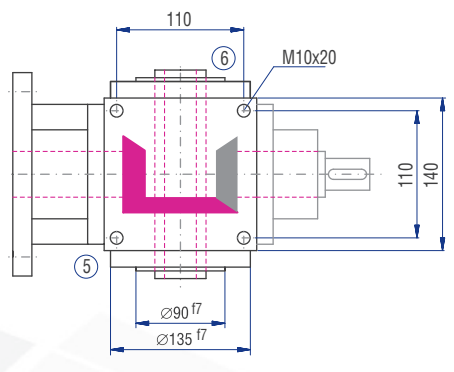
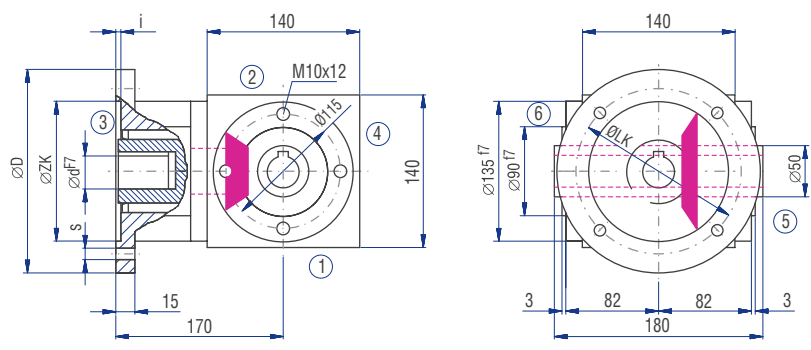


Implementation VV

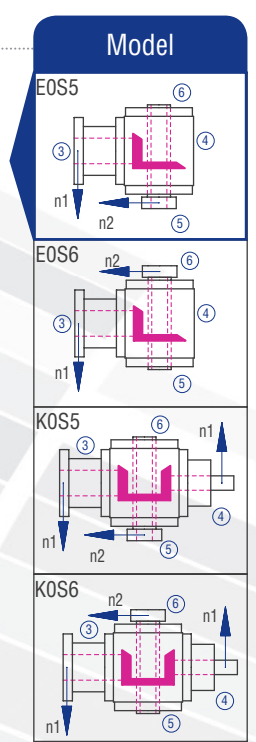
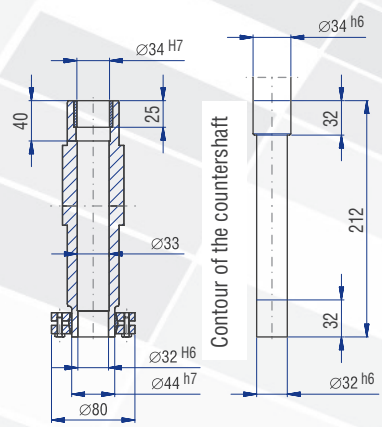
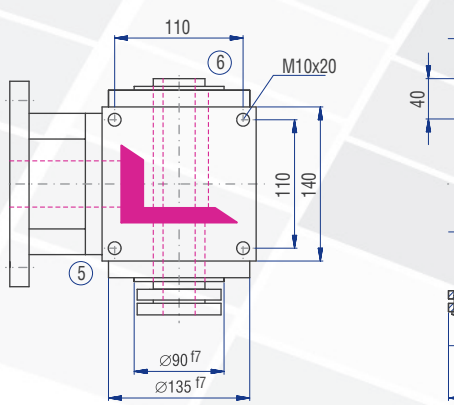
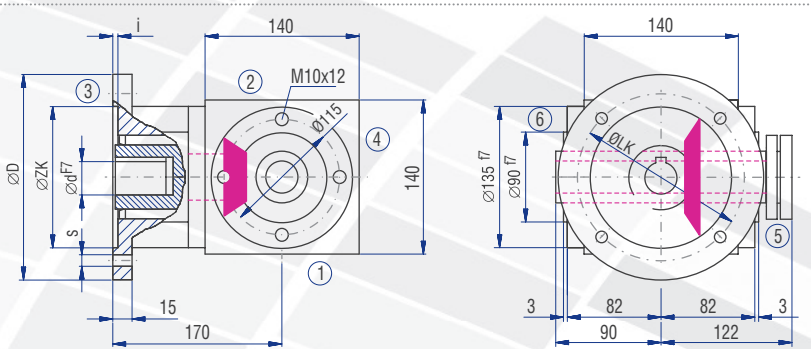
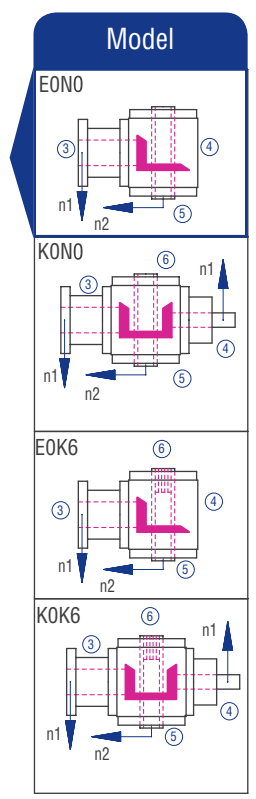
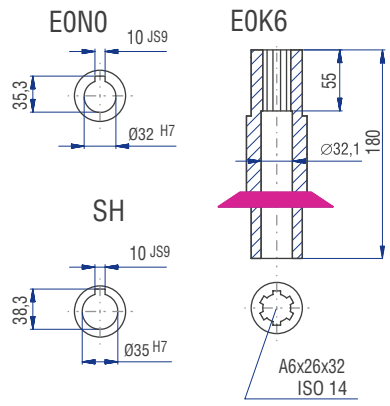


IEC motor	Model	Shaft (dxl)	D [mm]	LK [mm]	ZK [mm]	s [mm]	i [mm]
90	B14	24x50	160	130	110	9	4
	B5	24x50	200	165	130	11	4.5
100	B14	28x60	200	165	130	11	4.5
	B5	28x60	250	215	180	14	5
112	B14	28x60	200	165	130	11	4.5
	B5	28x60	250	215	180	14	5
132	B14	38x80	200	165	130	11	4.5
	B5	38x80	250	215	180	14	5

Gear ratios 3:1 through 6:1 only with intermediate flange or shortened motor shaft.

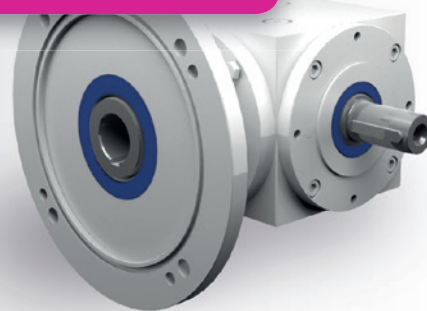


Implementation



The dimensions of the Models not shown can be figured by mirroring available dimensions.
The shaft dimensions on side 4 follow from the dimensions of type A0.

6.5.10 Type VL 160 – Type V with flange for motor mounting



Characteristics

Characteristic	Standard	Option
Toothing	Bevel gear set, spiral-toothed	See chapter 6.2.1
Gear ratio	1:1 to 6:1	
Housing / Flanges	Grey cast iron	
Threaded mounting hole	On all housing surfaces without flange and on all flanges.	See chapter 6.2.3
Shaft	Material 1 C45, shaft ends greased Fit with ISO 6 tolerance with parallel keyway: according to DIN 6885 Sheet 1	See chapter 4.6.2
Hollow shaft	Material 1 C45, shafts greased Fit with ISO 7 tolerance with parallel keyway: according to DIN 6885 Sheet 1	See chapter 4.6.3
Radial shaft seal ring	NBR, form A	See chapter 4.8
Ambient temperature	-10°C to +90°C. The values of the performance tables are valid for +20°C	See chapter 4.9.3
Circumferential backlash	< 30 arcmin	See chapter 6.2.10
Protection class	IP 54	See chapter 4.5
Corrosion protection	Prime coat; layer thickness > 40 µm	See chapter 4.4.1
Bearing life L10h	more than 15,000h	See chapter 4.9.1
Oil change intervals	Not required if the oil temperature is kept < 90°C The lifetime of the bearings can be increased by the factor 1.5 if the oil is changed after the first 500 service hours and then every 5000 service hours.	See chapter 6.2.8
Lubricants	Synthetic lubricants	See chapter 6.2.8
Flange	Suited for the mounting of IEC motors	
Coupling	Three-piece claw coupling	

Performance data

n ₁ [rpm]	1:1			1.5:1			2:1			3:1			4:1			5:1			6:1					
	n ₂ [rpm]	P _{1N} [kW]	T _{2N} [Nm]	n ₂ [rpm]	P _{1N} [kW]	T _{2N} [Nm]	n ₂ [rpm]	P _{1N} [kW]	T _{2N} [Nm]	n ₂ [rpm]	P _{1N} [kW]	T _{2N} [Nm]	n ₂ [rpm]	P _{1N} [kW]	T _{2N} [Nm]	n ₂ [rpm]	P _{1N} [kW]	T _{2N} [Nm]	n ₂ [rpm]	P _{1N} [kW]	T _{2N} [Nm]			
3000				2000	40.78	185	1500	28.11	170	1000	20.94	190	750	14.88	180	600	11.90	180	500	7.09	129			
2400	2400	57.67	218	1600	36.15	205	1200	25.53	193	800	17.81	202	600	13.23	200	480	10.48	198	400	5.98	136			
1500	1500	42.99	260	1000	27.78	252	750	20.25	245	500	12.68	230	375	9.09	220	300	7.11	215	250	3.95	143			
1000	1000	31.96	290	667	20.59	280	500	14.88	270	333	8.99	245	250	6.61	240	200	4.96	225	167	3.01	164			
750	750	25.63	310	500	16.26	295	375	11.57	280	250	6.89	250	188	5.17	250	150	3.97	240	125	2.43	176			
500	500	18.19	330	333	11.56	315	250	8.27	300	167	4.79	260	125	3.58	260	100	2.76	250	83	1.72	187			
250	250	9.64	350	167	6.07	330	125	4.41	320	83	2.56	280	63	1.86	270	50	1.49	270	42	0.92	199			
50	50	2.09	380	33	1.29	355	25	0.88	320	17	0.57	305	13	0.39	280	10	0.32	290	8	0.18	197			
P _{1Nt} [kW]		15.0			15.0			15.0			15.0			15.0			15.0			15.0				
T _{2max} [Nm]		660			360			320			457			422			420			350				

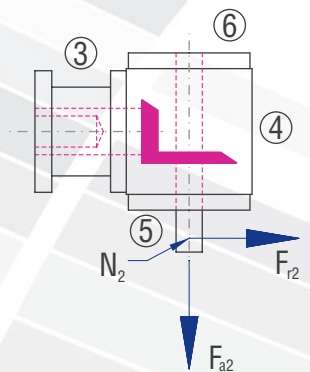
Permissible radial force F_{r2} and axial force F_{a2} on shaft N₂

n ₂ [rpm]	3000		1000		500		250		100		50	
T _{2N} [Nm]	F _r [N]	F _a [N]	F _r [N]	F _a [N]	F _r [N]	F _a [N]	F _r [N]	F _a [N]	F _r [N]	F _a [N]	F _r [N]	F _a [N]
< 220	2000	1000	2800	1400	3300	1650	4000	2000	5000	2500	6500	3250
> 220	1670	835	2340	1170	2750	1375	3340	1670	4170	2085	5420	2710

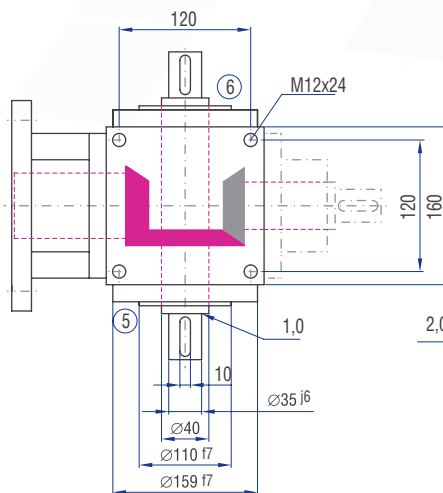
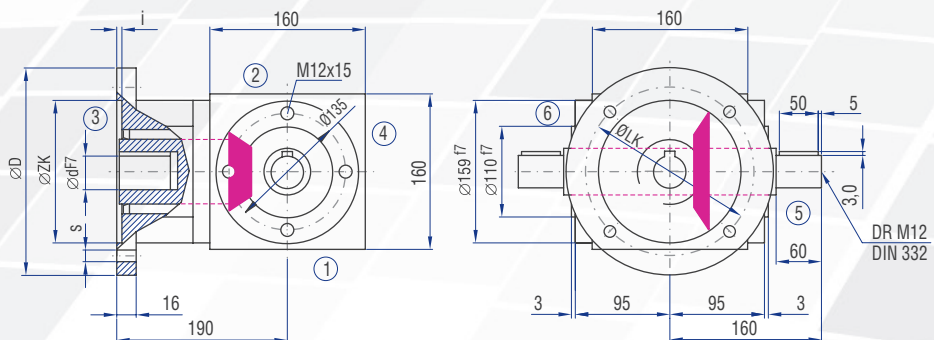
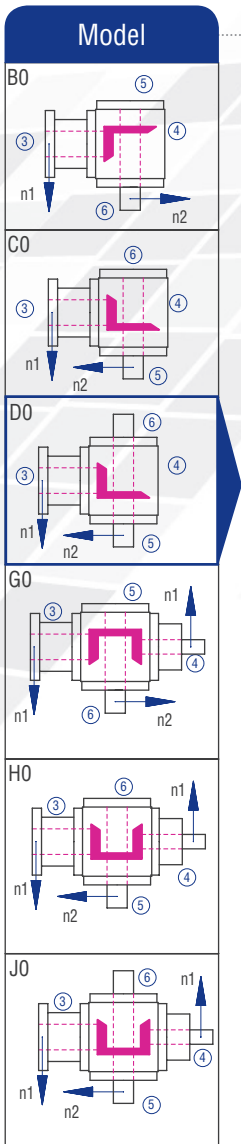
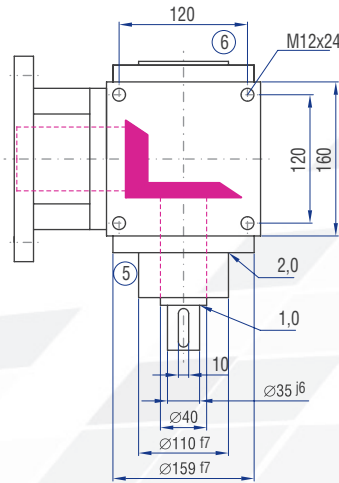
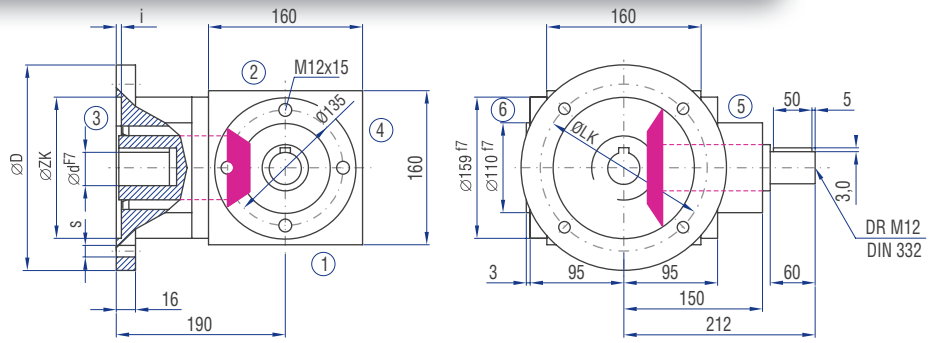
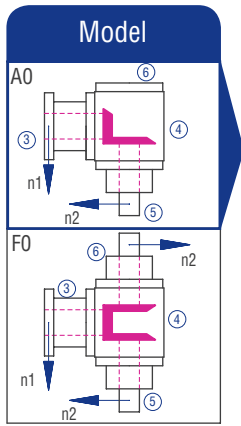
Inertia moments/mass

Inertia moment J₁ related to the fast-rotating shaft (N₁)

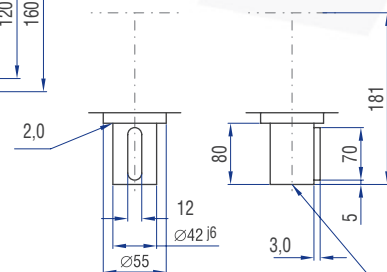
Model	Inertia moment [kgcm ²]							Mass [kg]
	1:1	1.5:1	2:1	3:1	4:1	5:1	6:1	
AO	42.4880	32.2050	25.0090	22.8169	21.8333	21.4119	21.2266	36.5
BO	44.3697	44.5919	32.7507	25.9456	23.8183	22.8273	22.0772	36.0
CO	44.3697	44.5919	32.7507	25.9456	23.8183	22.8273	22.0772	36.0
DO	45.3990	45.0494	33.0080	26.0600	23.8826	22.8685	22.1058	36.5
EON	47.2021	45.7092	33.3159	26.1968	23.9596	22.9177	22.1413	35.0
EOS	53.4920	48.5047	34.8883	26.8957	24.3527	23.1693	22.3160	35.6
FO	57.3235	38.7985	28.7179	24.4653	22.7605	22.0053	21.6387	43.0
GO	59.2052	57.6357	41.4007	33.2488	29.3259	24.5072	23.7552	42.5
HO	59.2052	57.6357	41.4007	33.2488	29.3259	24.5072	23.7552	42.5
JO	60.2345	58.0932	41.6580	33.3632	29.3902	24.5484	23.7838	43.0
KON	62.0376	58.7530	41.9659	33.5000	29.4672	24.5976	23.8193	41.5
KOS	68.3275	61.5485	43.5383	34.1989	29.8603	24.8492	23.9940	42.1



6.5.10 Type VL 160 – Type V with flange for motor mounting



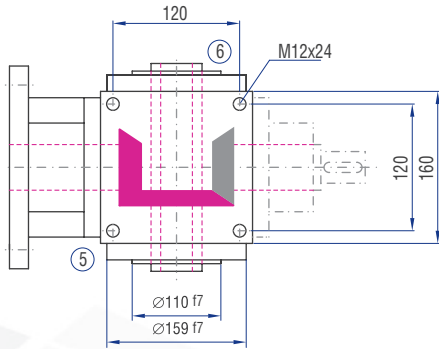
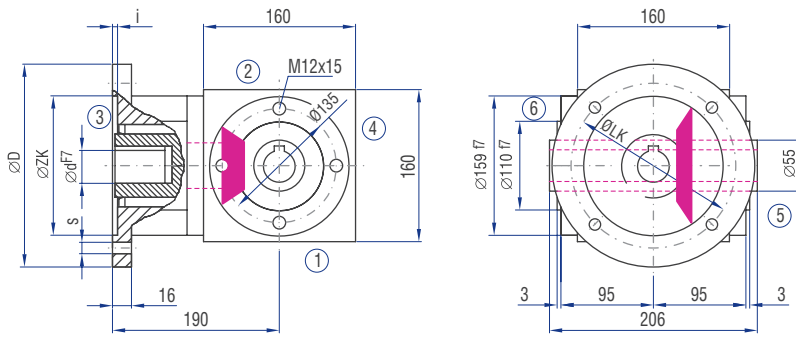
Implementation VV



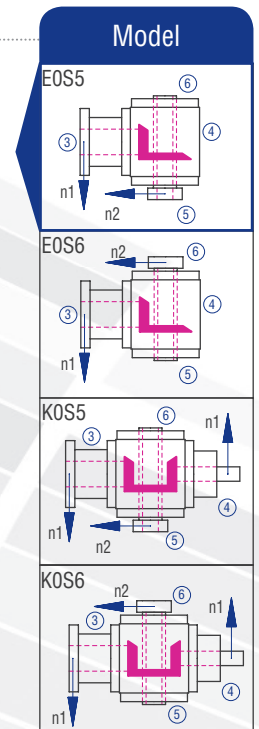
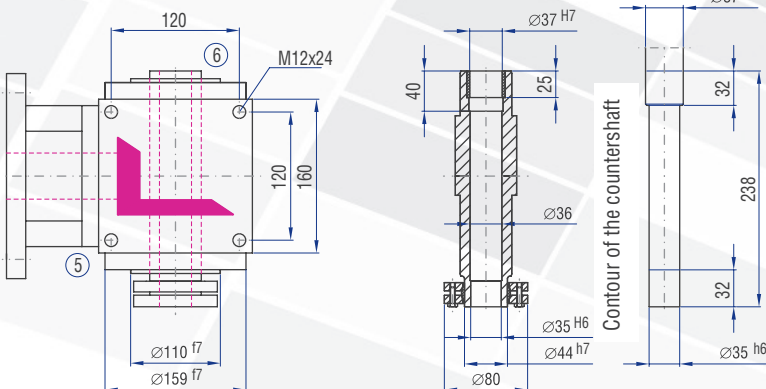
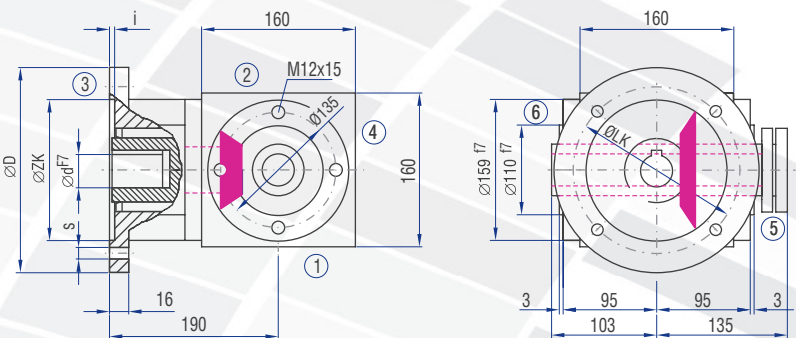
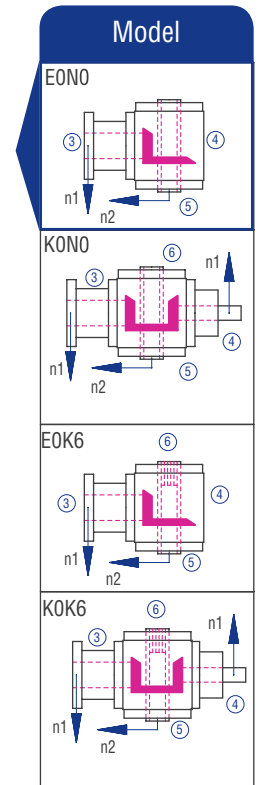
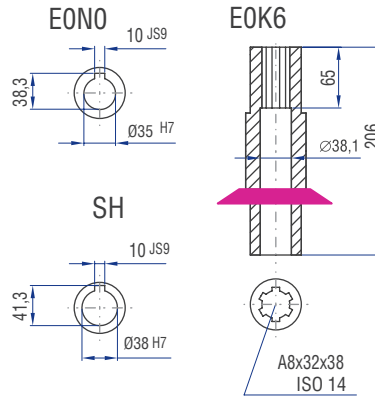
DR M16
DIN 332

IEC motor	Model	Shaft (dxl)	D [mm]	LK [mm]	ZK [mm]	s [mm]	i [mm]
100	B14	28x60	200	165	130	11	4
	B5	28x60	250	215	180	14	5
112	B5	28x60	200	165	130	11	4
	B5	28x60	250	215	180	14	5
132	B14	38x80	200	165	130	11	4
	B5	38x80	300	265	230	14	5

Gear ratios 3:1 through 6:1 only with intermediate flange or shortened motor shaft.

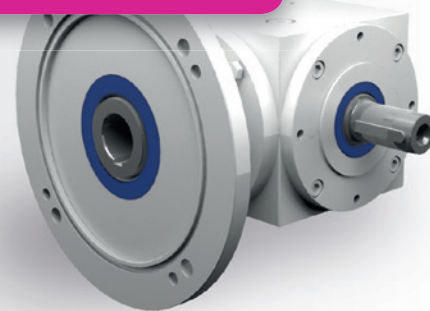


Implementation



The dimensions of the Models not shown can be figured by mirroring available dimensions.
The shaft dimensions on side 4 follow from the dimensions of type A0.

6.5.11 Type VL 200 – Type V with flange for motor mounting



Characteristics

Characteristic	Standard	Option
Toothing	Bevel gear set, spiral-toothed	See chapter 6.2.1
Gear ratio	1:1 to 6:1	
Housing / Flanges	Grey cast iron	
Threaded mounting hole	On all housing surfaces without flange and on all flanges.	See chapter 6.2.3
Shaft	Material 1 C45, shaft ends greased Fit with ISO 6 tolerance with parallel keyway: according to DIN 6885 Sheet 1	See chapter 4.6.2
Hollow shaft	Material 1 C45, shafts greased Fit with ISO 7 tolerance with parallel keyway: according to DIN 6885 Sheet 1	See chapter 4.6.3
Radial shaft seal ring	NBR, form A	See chapter 4.8
Ambient temperature	-10°C to +90°C. The values of the performance tables are valid for +20°C	See chapter 4.9.3
Circumferential backlash	< 30 arcmin	See chapter 6.2.10
Protection class	IP 54	See chapter 4.5
Corrosion protection	Prime coat; layer thickness > 40 µm	See chapter 4.4.1
Bearing life L10h	more than 15,000h	See chapter 4.9.1
Oil change intervals	Not required if the oil temperature is kept < 90°C The lifetime of the bearings can be increased by the factor 1.5 if the oil is changed after the first 500 service hours and then every 5000 service hours.	See chapter 6.2.8
Lubricants	Synthetic lubricants	See chapter 6.2.8
Flange	Suited for the mounting of IEC motors	
Coupling	Three-piece claw coupling	

Performance data

n ₁ [rpm]	1:1		1.5:1			2:1			3:1			4:1			5:1			6:1			
	n ₂ [rpm]	P _{1N} [kW]	T _{2N} [Nm]	n ₂ [rpm]	P _{1N} [kW]	T _{2N} [Nm]	n ₂ [rpm]	P _{1N} [kW]	T _{2N} [Nm]	n ₂ [rpm]	P _{1N} [kW]	T _{2N} [Nm]	n ₂ [rpm]	P _{1N} [kW]	T _{2N} [Nm]	n ₂ [rpm]	P _{1N} [kW]	T _{2N} [Nm]	n ₂ [rpm]	P _{1N} [kW]	T _{2N} [Nm]
3000				2000	72.75	330	1500	51.25	310	1000	46.29	420	750	28.93	350	600	19.84	300	500	11.45	208
2400				1600	63.49	360	1200	45.24	342	800	39.24	445	600	26.45	400	480	17.99	340	400	9.60	218
1500	1500	74.40	450	1000	48.17	437	750	35.13	425	500	28.38	515	375	18.81	455	300	12.57	380	250	6.54	237
1000	1000	56.21	510	667	37.13	505	500	27.56	500	333	20.37	555	250	13.36	485	200	9.26	420	167	4.74	258
750	750	45.88	555	500	30.31	550	375	21.90	530	250	15.98	580	188	10.54	510	150	7.27	440	125	3.98	289
500	500	34.17	620	333	22.02	600	250	14.60	530	167	11.04	600	125	7.23	525	100	5.18	470	83	2.79	304
250	250	19.56	710	167	11.04	600	125	7.30	530	83	5.76	630	63	3.79	550	50	2.78	505	42	1.44	311
50	50	4.13	750	33	2.18	600	25	1.46	530	17	1.29	690	13	0.80	580	10	0.58	525	8	0.28	306
P_{1Nt} [kW]		26.0		26.0			26.0			26.0			26.0			26.0			26.0		
T_{2max} [Nm]		1090		600			530			910			860			860			625		

Permissible radial force F_{r2} and axial force F_{a2} on shaft N₂

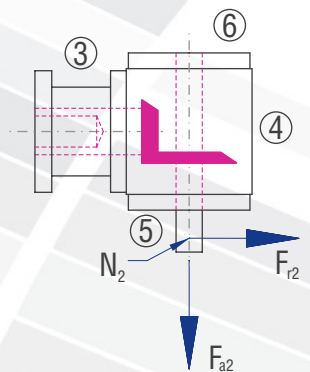
n ₂ [rpm]	3000		1000		500		250		100		50	
T _{2N} [Nm]	F _r [N]	F _a [N]	F _r [N]	F _a [N]	F _r [N]	F _a [N]	F _r [N]	F _a [N]	F _r [N]	F _a [N]	F _r [N]	F _a [N]
< 500	3200	1600	4300	2150	5000	2500	6500	3250	8000	4000	10000	5000
> 500	2670	1335	3580	1790	4170	2085	5420	2710	6670	3335	8330	4165

Inertia moments/mass

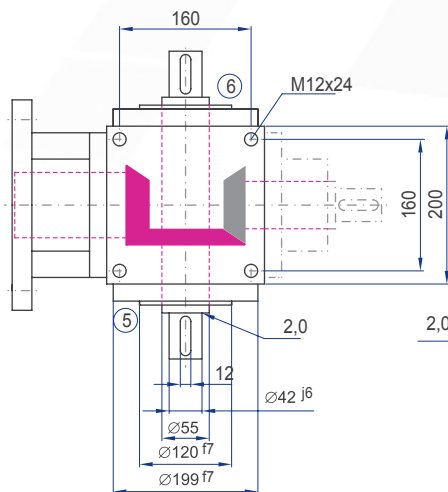
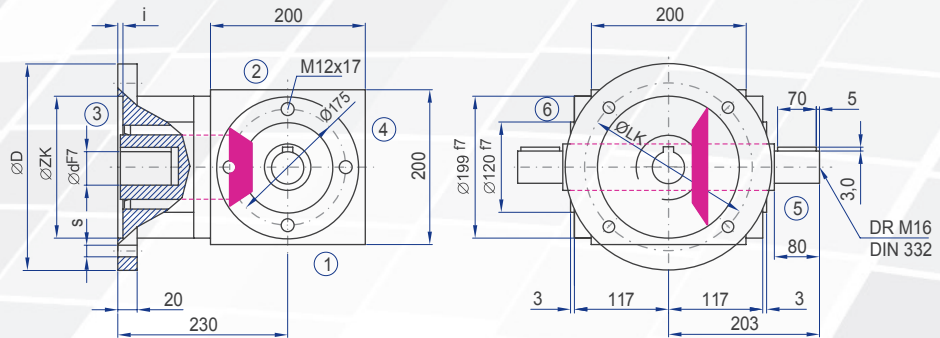
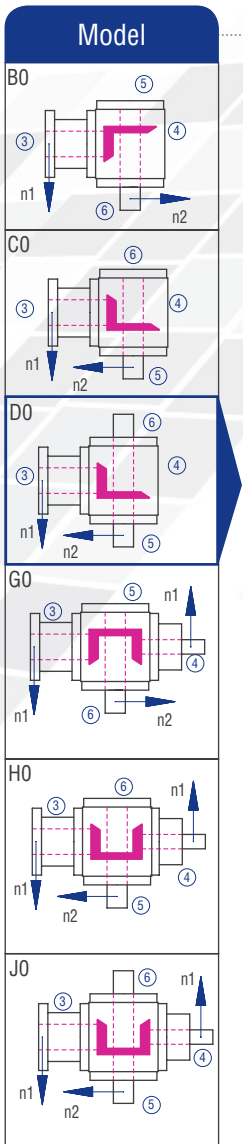
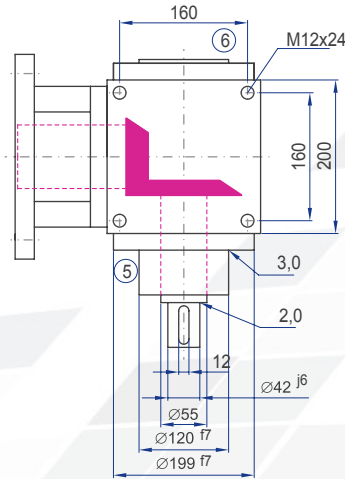
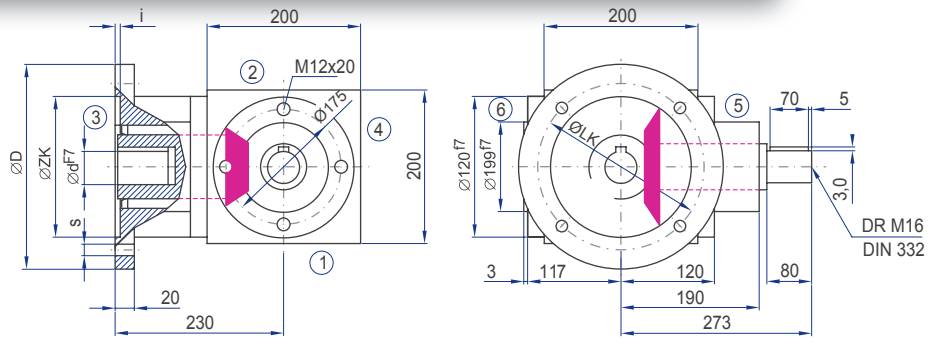
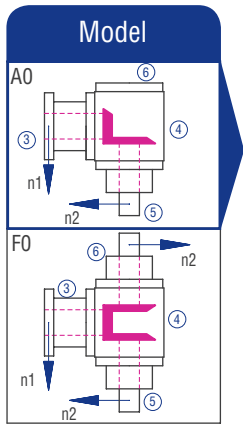
Inertia moment J₁ related to the fast-rotating shaft (N₁)

Model	Inertia moment [kgcm ²]						
	1:1	1.5:1	2:1	3:1	4:1	5:1	6:1
A0	160.794	103.333	79.4024	66.6041	62.5170	60.9854	60.2444
B0	214.242	149.221	114.714	81.9650	70.9700	67.7153	64.9180
C0	214.242	149.221	114.714	81.9650	70.9700	67.7153	64.9180
D0	217.359	150.606	115.494	82.3114	71.1649	67.8400	65.0046
E0N	240.932	154.665	119.527	82.9928	71.6107	68.6453	65.5638
E0S	261.954	164.009	124.783	85.3286	72.9245	69.4862	66.1478
F0	221.420	130.278	94.5590	73.3404	66.3062	63.4105	61.9285
G0	274.868	179.971	135.867	94.0610	81.4460	71.4373	68.6220
H0	274.868	179.971	135.867	94.0610	81.4460	71.4373	68.6220
J0	277.985	181.356	136.647	94.4074	81.6409	71.5620	68.7086
K0N	301.558	185.416	140.680	95.0888	82.0867	72.3673	69.2678
K0S	322.580	194.759	145.936	97.4246	83.4005	73.2082	69.8518

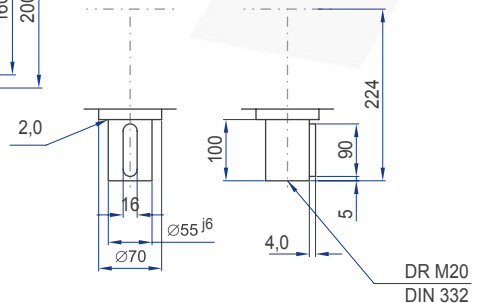
Mass [kg]
64.0
60.0
60.0
62.0
60.0
61.3
72.0
70.0
70.0
72.0
70.0
71.3



6.5.11 Type VL 200 – Type V with flange for motor mounting

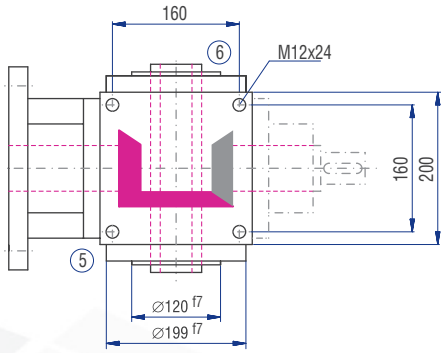
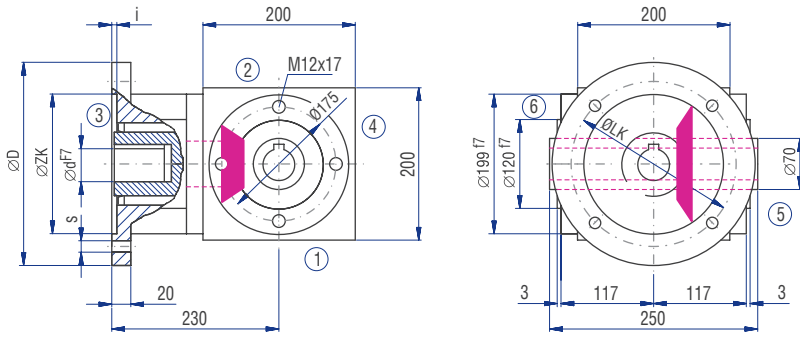


Implementation VV

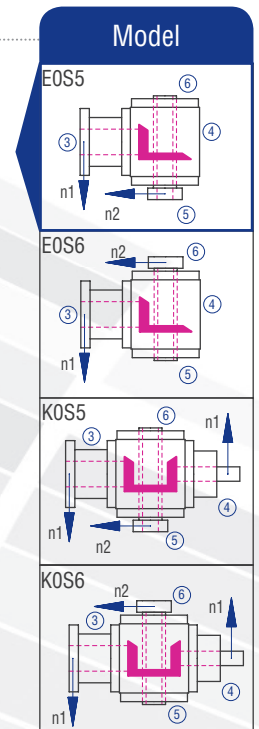
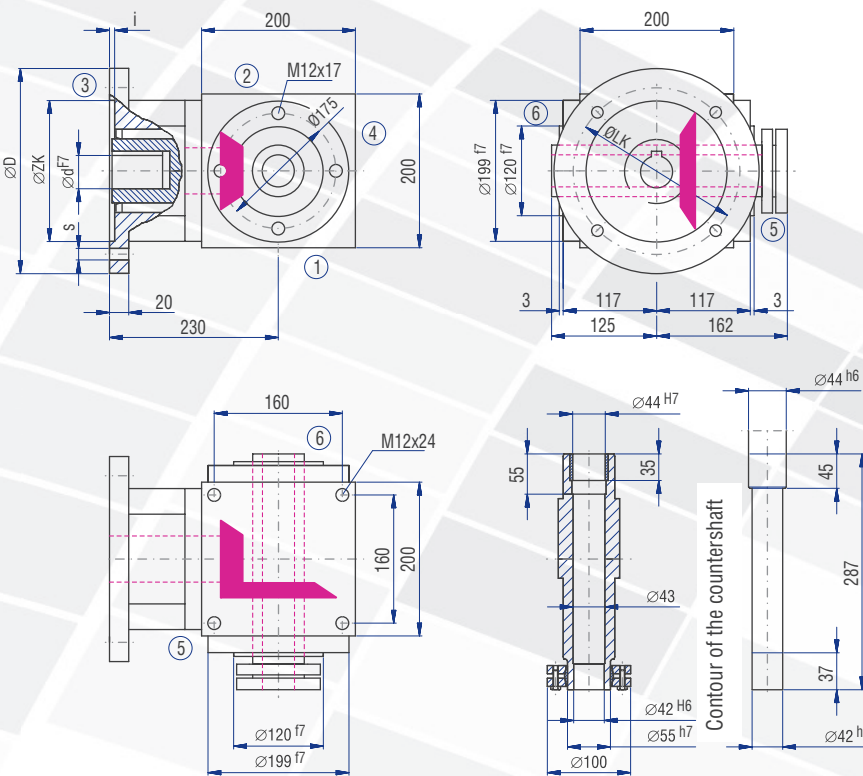
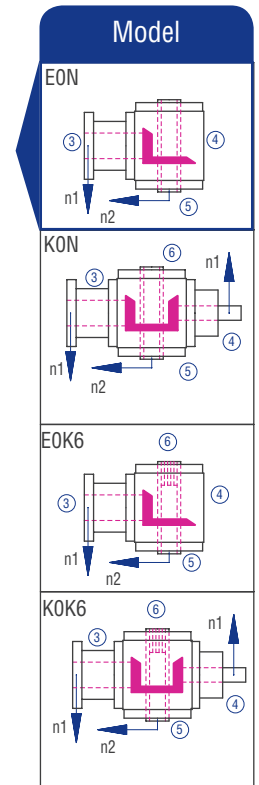
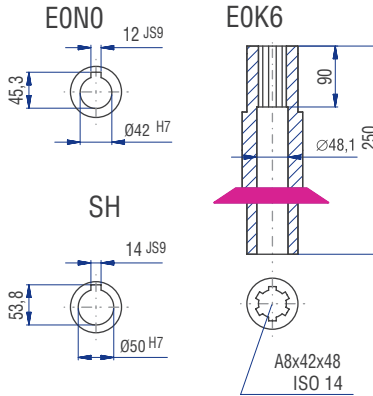


IEC motor	Model	Shaft (dxl)	D [mm]	LK [mm]	ZK [mm]	s [mm]	i [mm]
100	B14	28x60	200	165	130	11	4
	B5	28x60	250	215	180	14	5
112	B5	28x60	200	165	130	11	4
	B5	28x60	250	215	180	14	5
132	B14	38x80	200	165	130	11	4
	B5	38x80	300	265	230	14	5
160	B5	42x110	350	300	250	18	6
180	B5	48x110	350	300	250	18	6

Gear ratios 3:1 through 6:1 only with intermediate flange or shortened motor shaft.



Implementation



The dimensions of the Models not shown can be figured by mirroring available dimensions.
The shaft dimensions on side 4 follow from the dimensions of type A0.

6.5.12 Type VL 230 – Type V with flange for motor mounting



Characteristics

Characteristic	Standard	Option
Toothing	Bevel gear set, spiral-toothed	See chapter 6.2.1
Gear ratio	1:1 to 6:1	
Housing / Flanges	Grey cast iron	
Threaded mounting hole	On all housing surfaces without flange and on all flanges.	See chapter 6.2.3
Shaft	Material 1 C45, shaft ends greased Fit with ISO 6 tolerance with parallel keyway: according to DIN 6885 Sheet 1	See chapter 4.6.2
Hollow shaft	Material 1 C45, shafts greased Fit with ISO 7 tolerance with parallel keyway: according to DIN 6885 Sheet 1	See chapter 4.6.3
Radial shaft seal ring	NBR, form A	See chapter 4.8
Ambient temperature	-10°C to +90°C. The values of the performance tables are valid for +20°C	See chapter 4.9.3
Circumferential backlash	< 30 arcmin	See chapter 6.2.10
Protection class	IP 54	See chapter 4.5
Corrosion protection	Prime coat; layer thickness > 40 µm	See chapter 4.4.1
Bearing life L10h	more than 15,000h	See chapter 4.9.1
Oil change intervals	Not required if the oil temperature is kept < 90°C The lifetime of the bearings can be increased by the factor 1.5 if the oil is changed after the first 500 service hours and then every 5000 service hours.	See chapter 6.2.8
Lubricants	Synthetic lubricants	See chapter 6.2.8
Flange	Suited for the mounting of IEC motors	
Coupling	Three-piece claw coupling	

Performance data

n ₁ [rpm]	1:1		1.5:1			2:1			3:1			4:1			5:1			6:1						
	n ₂ [rpm]	P _{1N} [kW]	T _{2N} [Nm]	n ₂ [rpm]	P _{1N} [kW]	T _{2N} [Nm]	n ₂ [rpm]	P _{1N} [kW]	T _{2N} [Nm]	n ₂ [rpm]	P _{1N} [kW]	T _{2N} [Nm]	n ₂ [rpm]	P _{1N} [kW]	T _{2N} [Nm]	n ₂ [rpm]	P _{1N} [kW]	T _{2N} [Nm]	n ₂ [rpm]	P _{1N} [kW]	T _{2N} [Nm]			
3000				2000	99.20	450	1500	87.63	530	1000	44.09	400	750	36.37	440	600	33.73	510	500	20.17	366			
2400				1600	91.35	518	1200	80.02	605	800	39.68	450	600	32.74	495	480	29.10	550	400	18.08	410			
1500	1500	87.63	530	1000	72.20	655	750	59.11	715	500	29.76	540	375	24.80	600	300	21.00	635	250	13.50	490			
1000	1000	71.65	650	667	56.21	765	500	45.19	820	333	23.33	635	250	18.60	675	200	15.76	715	167	9.92	540			
750	750	60.76	735	500	45.47	825	375	36.79	890	250	19.29	700	188	15.19	735	150	12.73	770	125	7.78	565			
500	500	45.19	820	333	33.79	920	250	26.73	970	167	14.07	765	125	10.95	795	100	9.15	830	83	5.42	590			
250	250	26.73	970	167	20.57	1,120	125	16.88	1,225	83	7.58	825	63	5.99	870	50	5.07	920	42	2.82	610			
50	50	7.00	1,270	33	4.89	1,330	25	3.66	1,330	17	1.63	870	13	1.35	980	10	1.09	990	8	0.57	625			
P _{1Nt} [kW]		34.0		34.0			34.0			34.0			34.0			34.0			34.0					
T _{2max} [Nm]		1500		1400			1400			1300			1300			1200			1000					

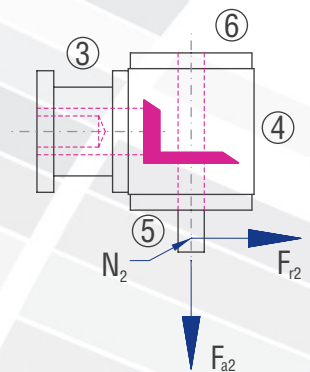
Permissible radial force F_{r2} and axial force F_{a2} on shaft N₂

n ₂ [rpm]	3000		1000		500		250		100		50	
T _{2N} [Nm]	F _r [N]	F _a [N]	F _r [N]	F _a [N]	F _r [N]	F _a [N]	F _r [N]	F _a [N]	F _r [N]	F _a [N]	F _r [N]	F _a [N]
< 750	5850	2925	8650	4325	10500	5250	12250	6125	15000	7500	19000	9500
> 750	4876	2438	7208	3604	8750	4375	10208	5104	12500	6250	15830	7915

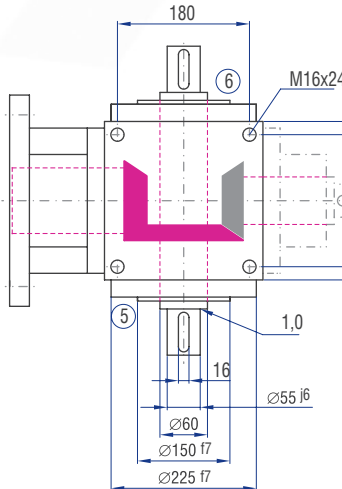
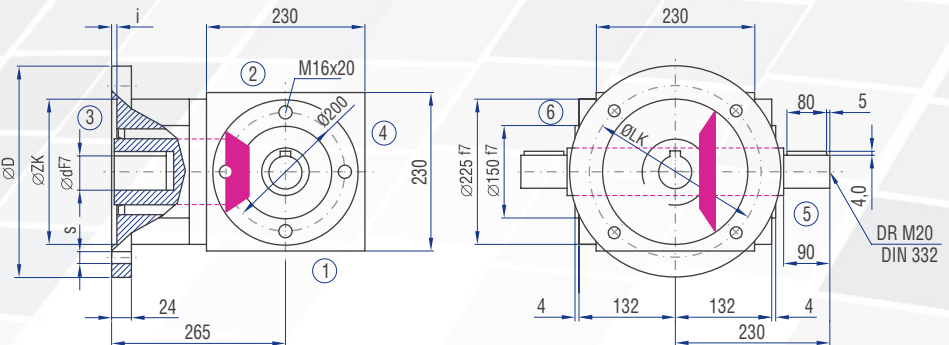
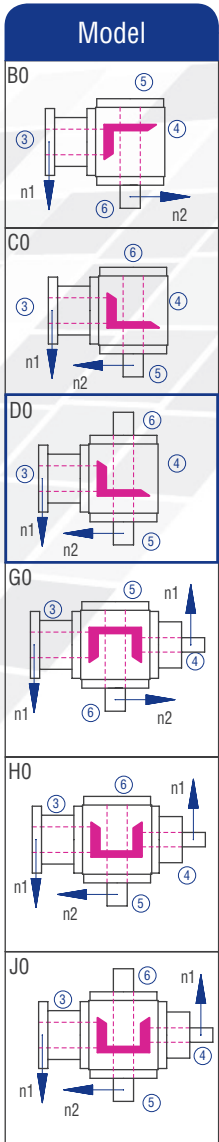
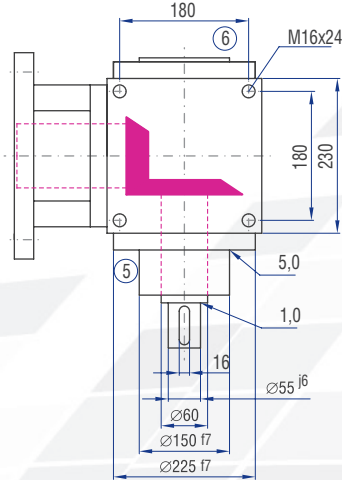
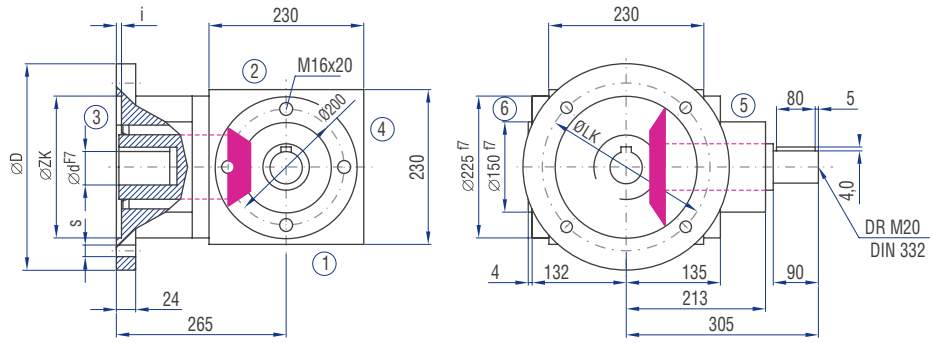
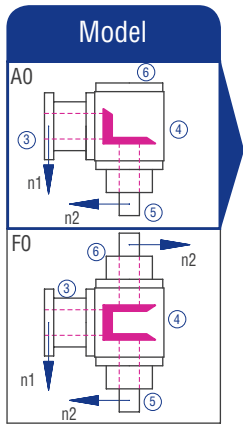
Inertia moments/mass

Inertia moment J₁ related to the fast-rotating shaft (N₁)

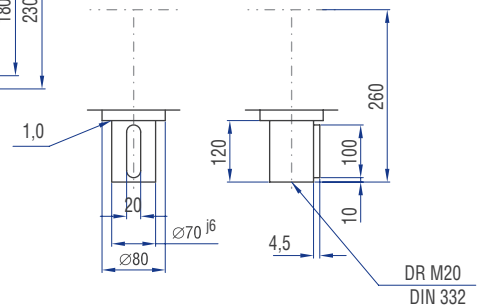
Model	Inertia moment [kgcm ²]							Mass [kg]
	1:1	1.5:1	2:1	3:1	4:1	5:1	6:1	
AO	577.000	287.000	203.000	141.000	134.000	131.000	126.000	94.0
BO	573.000	292.000	207.000	143.000	135.000	131.000	127.000	112.0
CO	573.000	292.000	207.000	143.000	135.000	131.000	127.000	112.0
DO	583.000	296.000	209.000	144.000	135.000	132.000	127.000	91.0
EON	583.000	301.000	213.000	146.000	136.000	132.000	127.000	86.0
EOS	644.000	328.000	228.000	153.000	140.000	135.000	129.000	87.0
FO	830.000	404.000	272.000	163.000	149.000	142.000	134.000	112.0
GO	826.000	390.000	271.000	177.000	168.000	161.000	157.000	115.0
HO	826.000	390.000	271.000	177.000	168.000	161.000	157.000	115.0
JO	836.000	394.000	273.000	178.000	168.000	162.000	157.000	117.0
KON	836.000	399.000	277.000	180.000	169.000	162.000	157.000	110.0
KOS	897.000	426.000	292.000	187.000	173.000	165.000	159.000	111.0



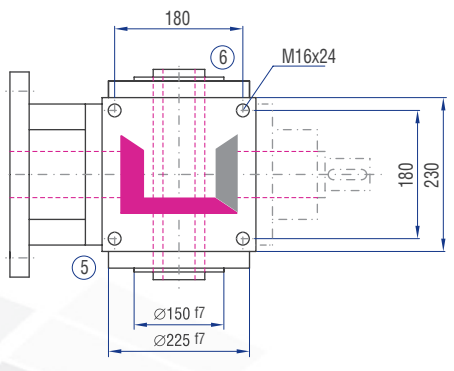
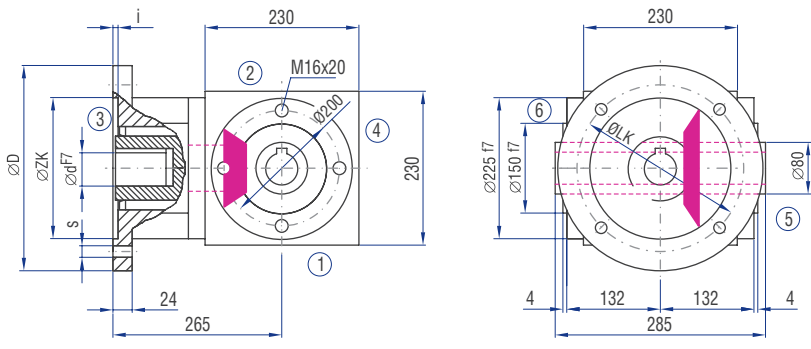
6.5.12 Type VL 230 – Type V with flange for motor mounting



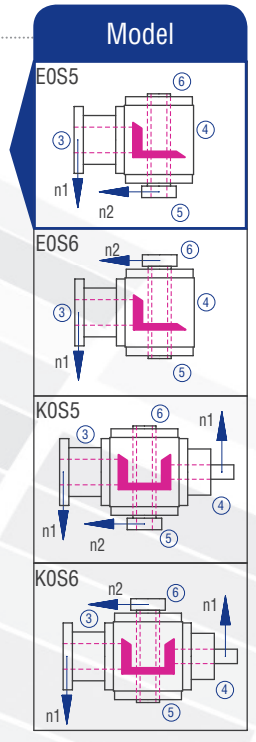
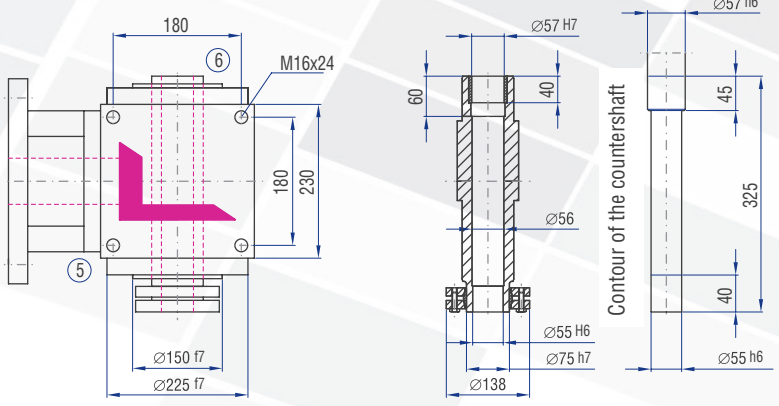
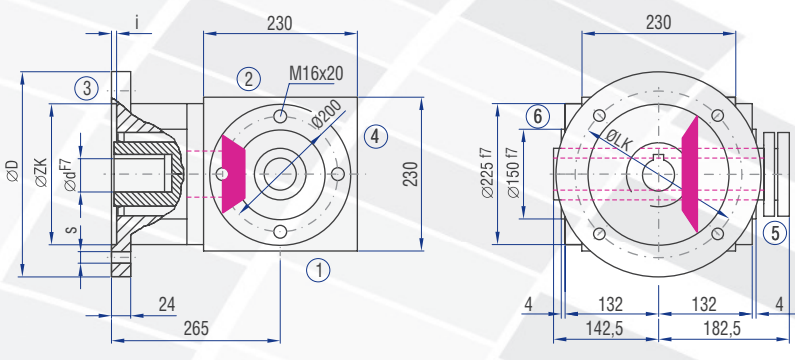
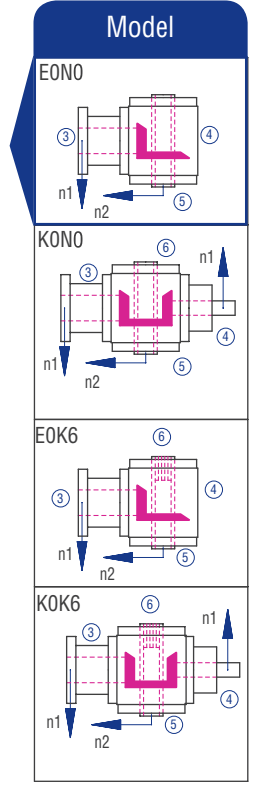
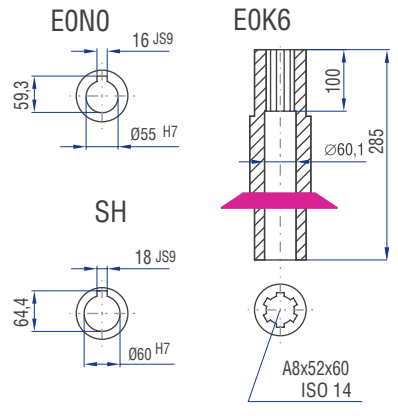
Implementation VV



IEC motor	Model	Shaft (dxL)	D [mm]	LK [mm]	ZK [mm]	s [mm]	i [mm]
132	B5	38x80	300	265	230	14	5
160	B5	42x110	350	300	250	18	6
180	B5	48x110	350	300	250	18	6
200	B5	55x110	400	350	300	18	6

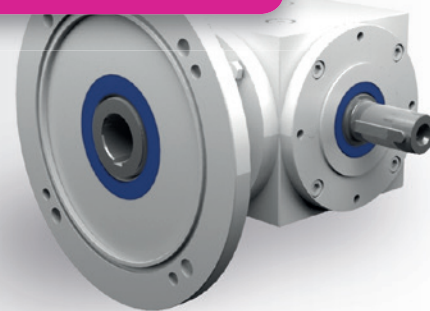


Implementation



The dimensions of the Models not shown can be figured by mirroring available dimensions.
The shaft dimensions on side 4 follow from the dimensions of type A0.

6.5.13 Type VL 260 – Type V with flange for motor mounting



Characteristics

Characteristic	Standard	Option
Toothing	Bevel gear set, spiral-toothed	See chapter 6.2.1
Gear ratio	1:1 to 6:1	
Housing / Flanges	Grey cast iron	
Threaded mounting hole	On all housing surfaces without flange and on all flanges.	See chapter 6.2.3
Shaft	Material 1 C45, shaft ends greased Fit with ISO 6 tolerance with parallel keyway: according to DIN 6885 Sheet 1	See chapter 4.6.2
Hollow shaft	Material 1 C45, shafts greased Fit with ISO 7 tolerance with parallel keyway: according to DIN 6885 Sheet 1	See chapter 4.6.3
Radial shaft seal ring	NBR, form A	See chapter 4.8
Ambient temperature	-10°C to +90°C. The values of the performance tables are valid for +20°C	See chapter 4.9.3
Circumferential backlash	< 30 arcmin	See chapter 6.2.10
Protection class	IP 54	See chapter 4.5
Corrosion protection	Prime coat; layer thickness > 40 µm	See chapter 4.4.1
Bearing life L10h	more than 15,000h	See chapter 4.9.1
Oil change intervals	Not required if the oil temperature is kept < 90°C The lifetime of the bearings can be increased by the factor 1.5 if the oil is changed after the first 500 service hours and then every 5000 service hours.	See chapter 6.2.8
Lubricants	Synthetic lubricants	See chapter 6.2.8
Flange	Suited for the mounting of IEC motors	
Coupling	Three-piece claw coupling	

Performance data

n ₁ [rpm]	1:1		1.5:1			2:1			3:1			4:1			5:1			6:1						
	n ₂ [rpm]	P _{1N} [kW]	T _{2N} [Nm]	n ₂ [rpm]	P _{1N} [kW]	T _{2N} [Nm]	n ₂ [rpm]	P _{1N} [kW]	T _{2N} [Nm]	n ₂ [rpm]	P _{1N} [kW]	T _{2N} [Nm]	n ₂ [rpm]	P _{1N} [kW]	T _{2N} [Nm]	n ₂ [rpm]	P _{1N} [kW]	T _{2N} [Nm]	n ₂ [rpm]	P _{1N} [kW]	T _{2N} [Nm]			
3000				2000	189.58	860	1500	133.92	810	1000	85.97	780	750	57.87	700	600	46.29	700	500	27.27	495			
2400				1600	158.72	900	1200	112.43	850	800	72.39	821	600	51.58	780	480	40.21	760	400	23.12	524			
1500	1500	157.07	950	1000	104.71	950	750	78.53	950	500	49.60	900	375	37.20	900	300	29.10	880	250	16.36	594			
1000	1000	115.73	1,050	667	73.50	1,000	500	57.87	1,050	333	36.34	990	250	28.93	1,050	200	21.82	990	167	12.93	702			
750	750	96.72	1,170	500	55.11	1,000	375	48.36	1,170	250	28.93	1,050	188	22.73	1,100	150	18.19	1,100	125	10.91	792			
500	500	72.75	1,320	333	36.70	1,000	250	33.07	1,200	167	20.43	1,110	125	16.26	1,180	100	13.23	1,200	83	8.06	878			
250	250	42.44	1,540	167	18.40	1,000	125	16.53	1,200	83	11.16	1,220	63	8.61	1,250	50	7.11	1,290	42	4.35	940			
50	50	9.64	1,750	33	3.64	1,000	25	3.31	1,200	17	2.55	1,360	13	1.82	1,320	10	1.47	1,330	8	0.87	951			
P _{1Nt} [kW]		42.0		42.0			42.0			42.0			42.0			42.0			42.0					
T _{2max} [Nm]		2310		1000			1200			1940			1940			1910			1730					

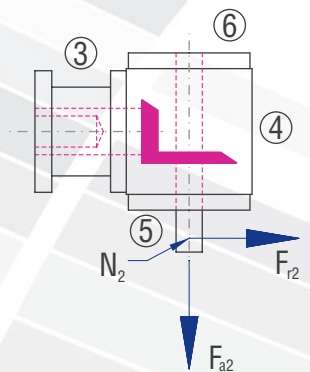
Permissible radial force F_{r2} and axial force F_{a2} on shaft N₂

n ₂ [rpm]	3000		1000		500		250		100		50	
T _{2N} [Nm]	F _r [N]	F _a [N]	F _r [N]	F _a [N]	F _r [N]	F _a [N]	F _r [N]	F _a [N]	F _r [N]	F _a [N]	F _r [N]	F _a [N]
< 950	8500	4250	13000	6500	16000	8000	18000	9000	22000	11000	28000	14000
> 950	7080	3540	10830	5415	13330	6665	15000	7500	18330	9165	23330	11665

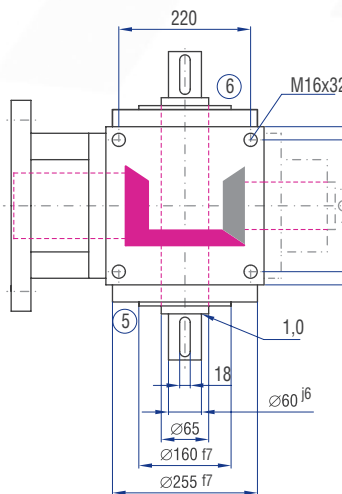
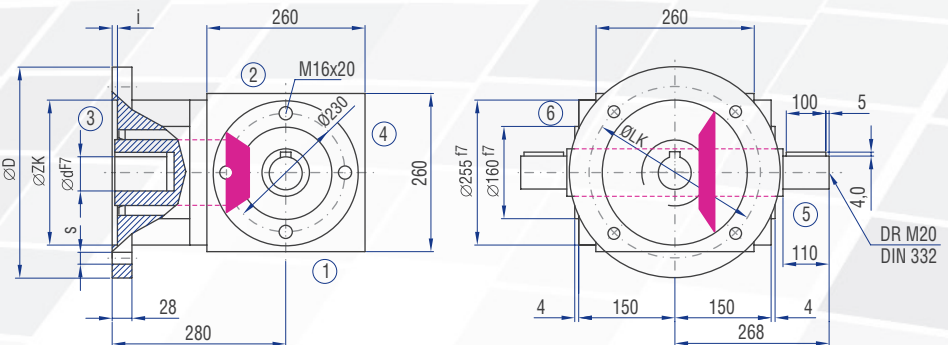
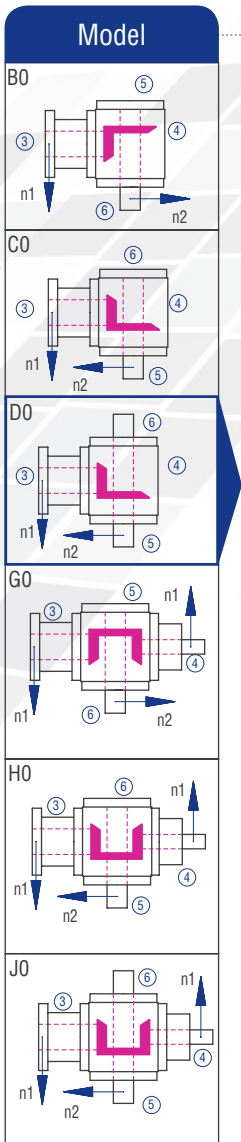
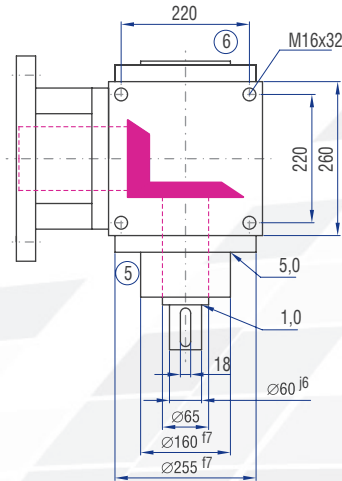
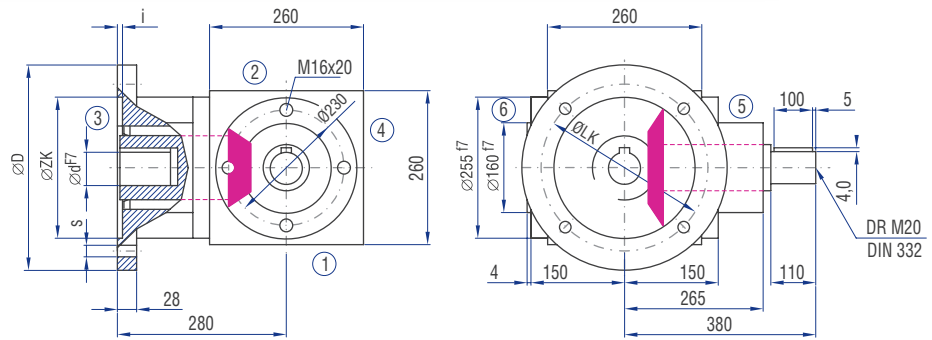
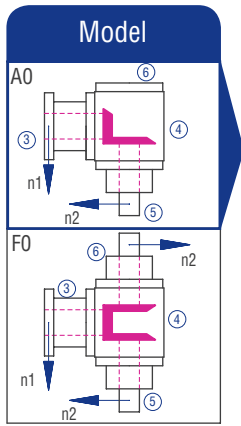
Inertia moments/mass

Inertia moment J₁ related to the fast-rotating shaft (N₁)

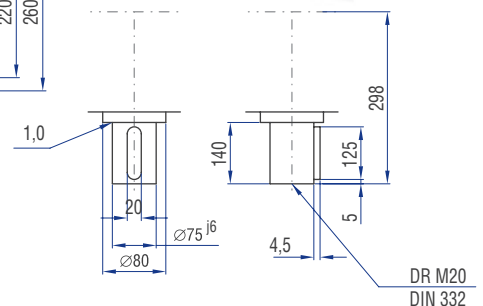
Model	Inertia moment [kgcm ²]							Mass [kg]
	1:1	1.5:1	2:1	3:1	4:1	5:1	6:1	
A0	826.100	347.183	202.675	136.373	115.804	105.534	100.558	100.0
B0	839.340	209.512	289.735	168.511	135.694	118.264	109.454	100.0
C0	839.340	209.512	289.735	168.511	135.694	118.264	109.454	100.0
D0	853.750	424.806	293.338	103.557	136.594	118.840	109.854	103.0
E0N	840.590	454.512	296.298	171.400	137.319	119.304	110.176	97.0
E0S	904.240	482.801	312.210	178.470	141.296	121.849	111.944	99.9
F0	1233.20	528.117	304.450	181.607	141.248	121.818	111.867	120.0
G0	1246.44	334.512	382.235	208.361	157.024	139.264	129.954	124.0
H0	1246.44	334.512	382.235	208.361	157.024	139.264	129.954	124.0
J0	1260.85	549.806	385.838	143.407	157.924	139.840	130.354	127.0
K0N	1247.69	579.512	388.798	211.250	158.649	140.304	130.676	121.0
K0S	1311.34	607.801	404.710	218.320	162.626	142.849	132.444	123.9



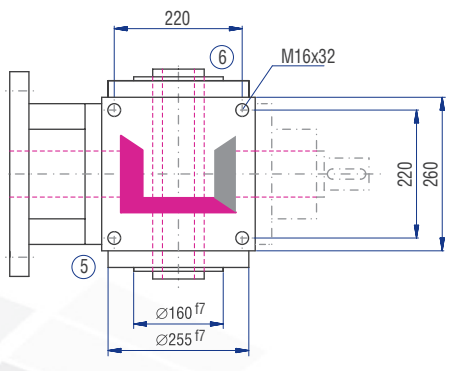
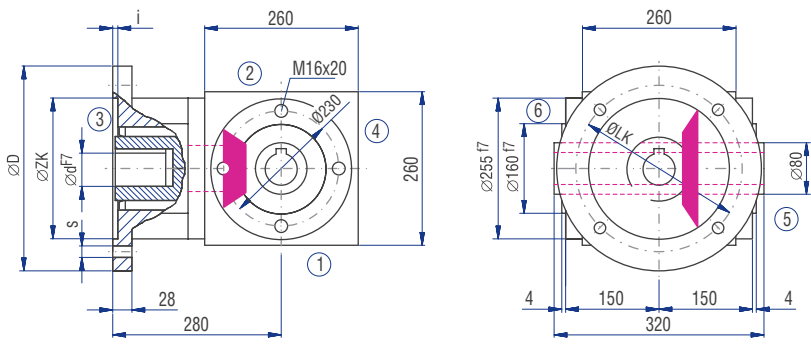
6.5.13 Type VL 260 – Type V with flange for motor mounting



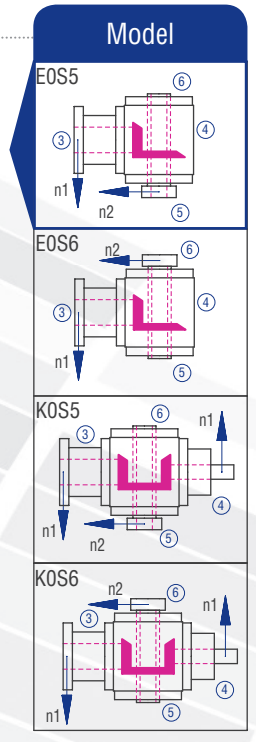
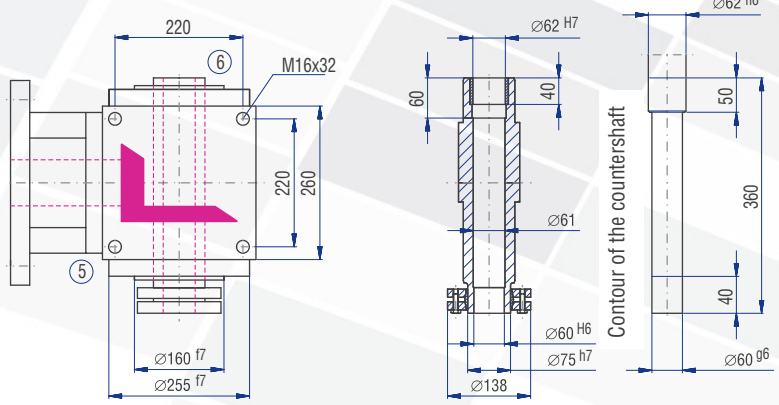
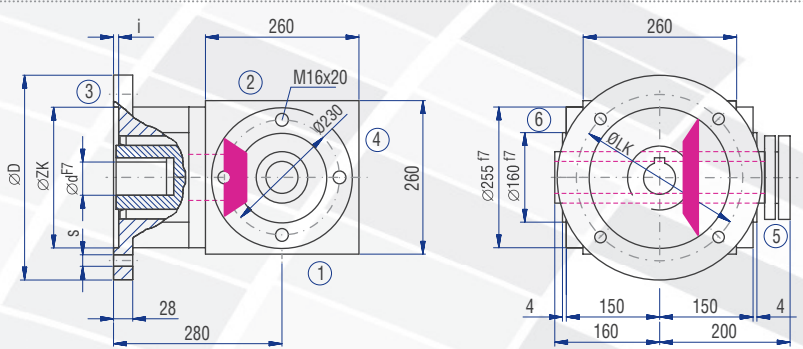
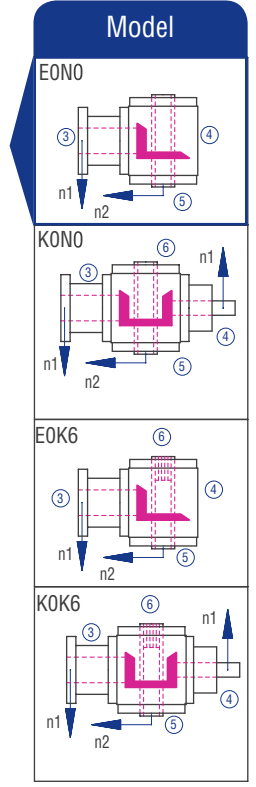
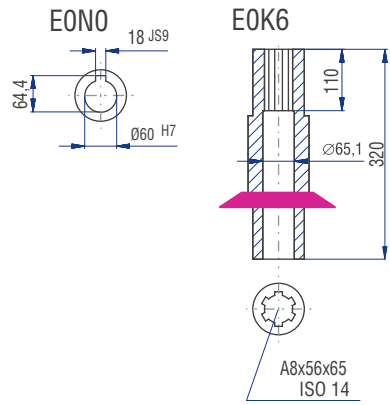
Implementation VV



IEC motor	Model	Shaft (dxl)	D [mm]	LK [mm]	ZK [mm]	s [mm]	i [mm]
132	B5	38x80	300	265	230	14	5
160	B5	42x110	350	300	250	18	6
180	B5	48x110	350	300	250	18	6
200	B5	55x110	400	350	300	18	6



Implementation



The dimensions of the Models not shown can be figured by mirroring available dimensions.
The shaft dimensions on side 4 follow from the dimensions of type A0.